

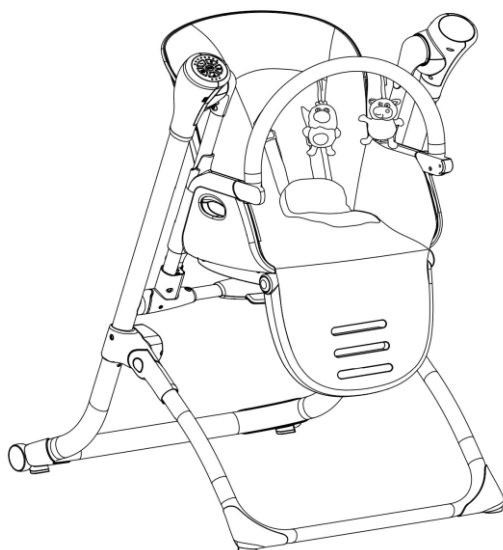
Pleasant Relax



feeding chair - electric swing

VENTURA

age range: 0+ months



MANUAL INSTRUCTION

designed in EU

V 2.5

www.lorelli.eu



find us on

CONTENT / СЪДЪРЖАНИЕ

EN	Manual Instruction.....	13
BG	Инструкция за употреба.....	17
RO	Instrucțiuni de utilizare.....	21
PL	Instrukcja użytkownika.....	25
FR	Mode d'emploi	29
IT	Istruzione per l'uso.....	33
GR	ΟΔΗΓΙΕΣ ΧΡΗΣΗΣ ΚΑΡΕΚΛΑΣ.....	37
MK	Упатствата за употреба.....	41
RU	Инструкция по эксплуатации.....	45
SRB HR ME BIH	Uputstvo za upotrebu.....	49
TR	Kullanım talimatı.....	53
HU	Használati utasítás.....	58
AL	Instruktion për përdorim.....	62
AR	دليل التعليمات.....	66



BG-Сканирайте QR кода, за да получите повече информация за продукта и инструкция за употреба на повече езици. Изтеглете приложението QR скенер на устройството си.

EN-Scan the QR code to get more product information and manual instruction in more languages. Download QR Scanner App onto your device.

SRB/HR/ME/BIH

Skenirajte QR kod kako bi ste dobili više informacija o proizvodu i uputstva za upotrebu na više jezika. Preuzmite aplikaciju QR Scanner na svoj uređaj.

IT-Scansiona il codice QR per ottenere maggiori informazioni sul prodotto e istruzioni manuali in più lingue. Scarica l'app QR Scanner sul tuo dispositivo.

GR-Σάρωση του κώδικα QR για περισσότερες πληροφορίες σχετικά με το προϊόν και οδηγίες χρήσης σε περισσότερες γλώσσες. Κατεβάστε την εφαρμογή QR Scanner στη συσκευή σας.

FR-Scannez le code QR pour obtenir plus d'informations sur le produit et le manuel d'utilisation (disponible en plusieurs langues). Téléchargez l'application QR Scanner sur votre appareil

HU-A QR-kód beszkennelésével bővebb információkhoz és összeszerelési útmutatóhoz juthat további nyelveken. Amennyiben szükséges, töltsön le a QR-kód olvasó alkalmazást a készülékére.

RU-Отсканируйте QR-код, чтобы получить больше информации о продукте и инструкции по эксплуатации на других языках. Загрузите приложение QR Scanner на свое устройство.

DE-Um weitere Produktinformationen sowie die Bedienungsanleitung in weiteren Sprachen zu erhalten, bitten wir Sie den QR-Code zu scannen. Bitte downloaden Sie die QR Scanner-App auf Ihr Handy oder Tablet.

NL -Scan de QR code voor meer productinformatie en de handleiding in meerdere talen. Download de QR scanner app op je apparaat om te scannen.

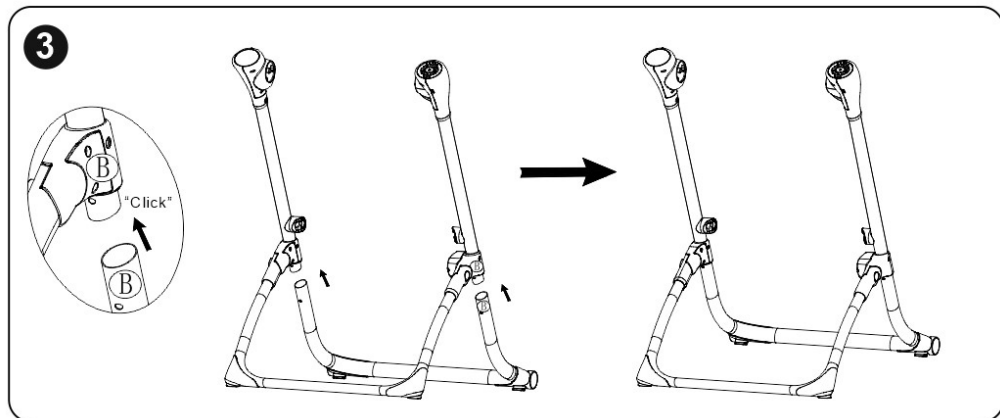
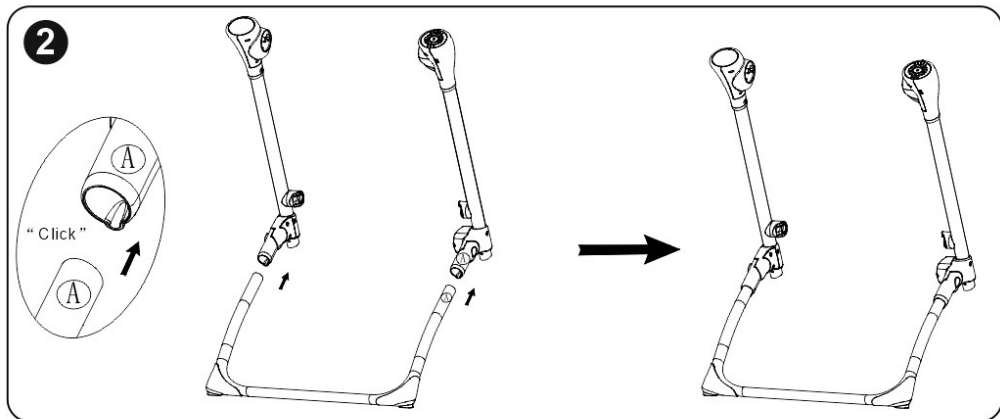
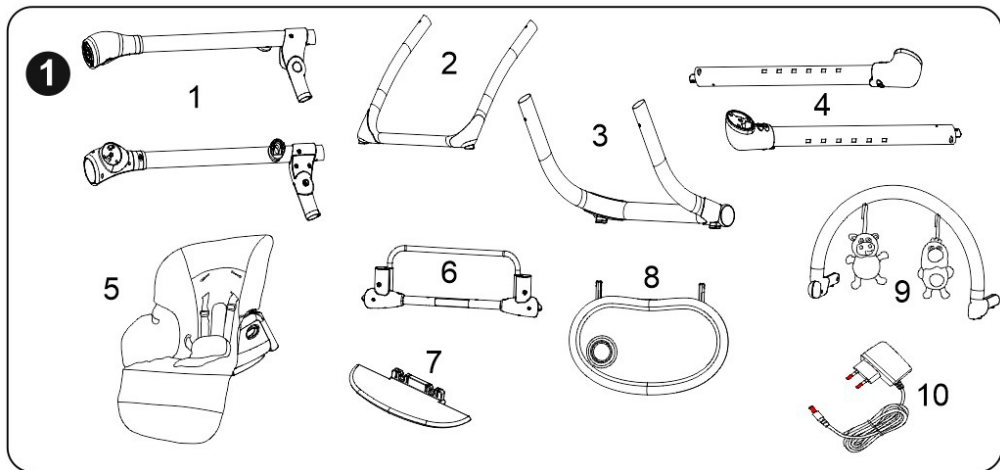
RO-Scanati codul QR pentru a obtine mai multe informatii despre produs si manualul de instructiuni in mai multe limbi. Descarcati aplicatia QR Scanner pe dispozitivul dvs.

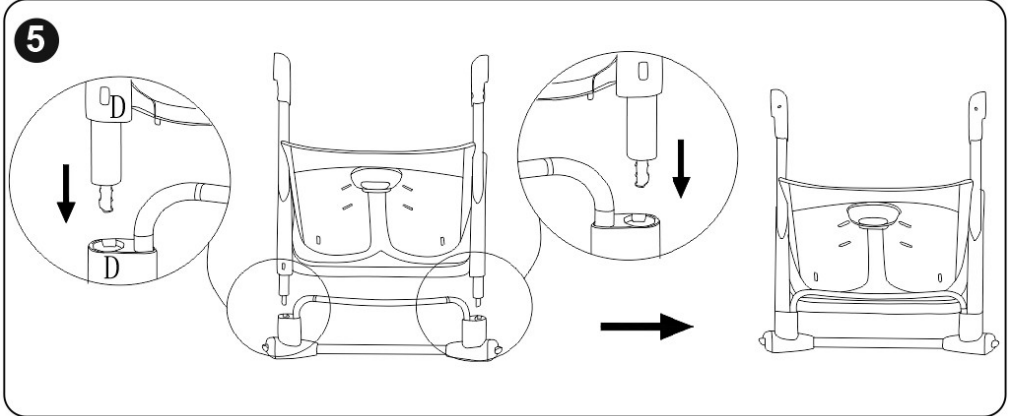
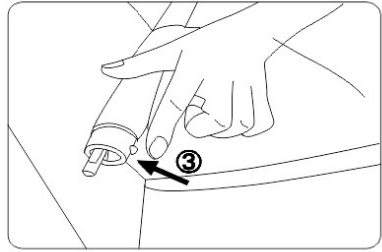
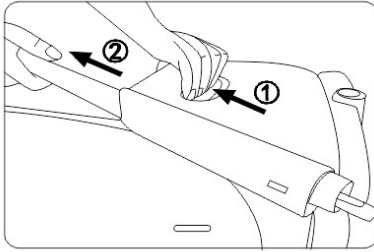
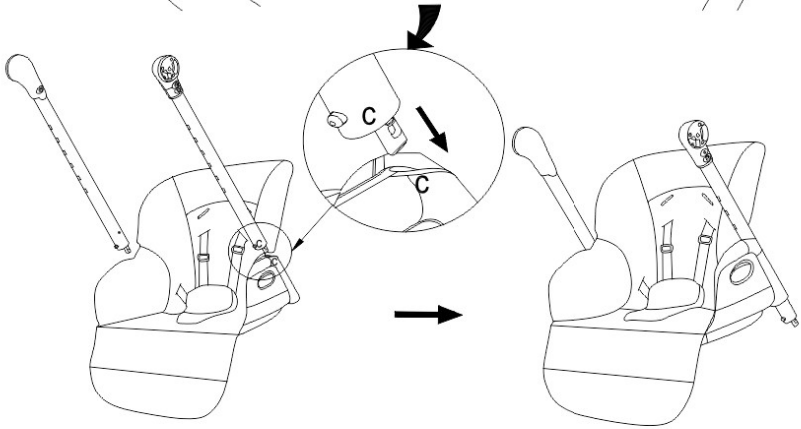
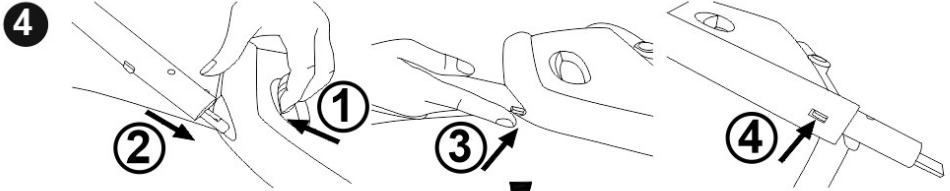
AL-Skanoni kodin QR për të marrë më shumë informacion rreth produktit dhe për të hapur manualin në më shumë gjuhë. Shkarkoni aplikacionin QR Scanner në celularin tuaj.

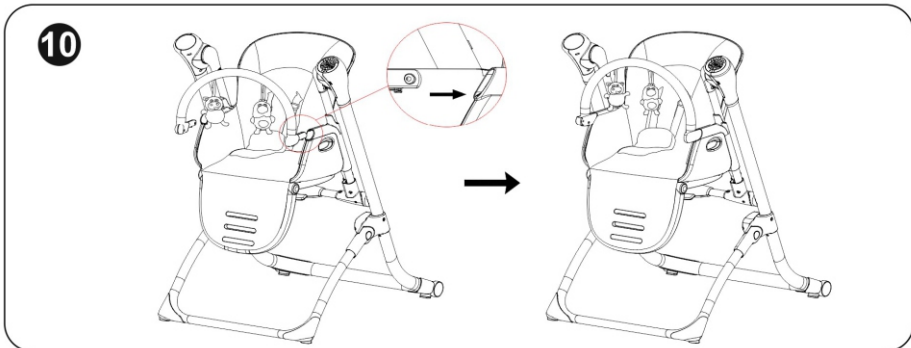
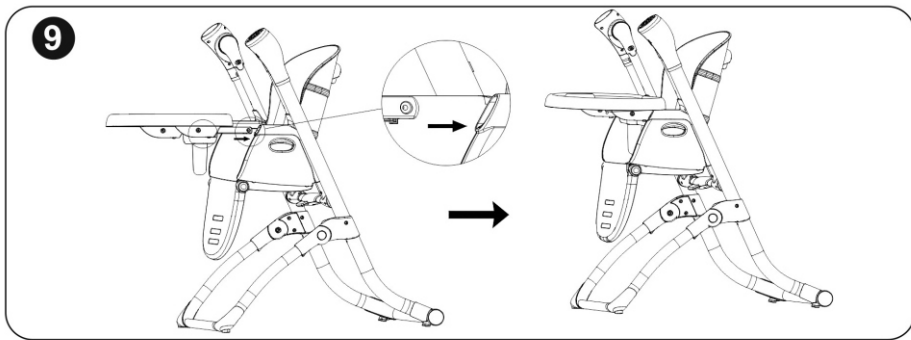
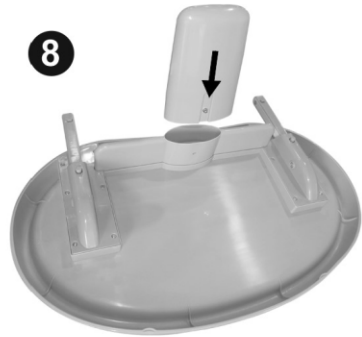
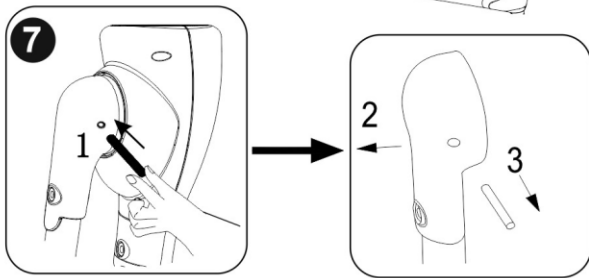
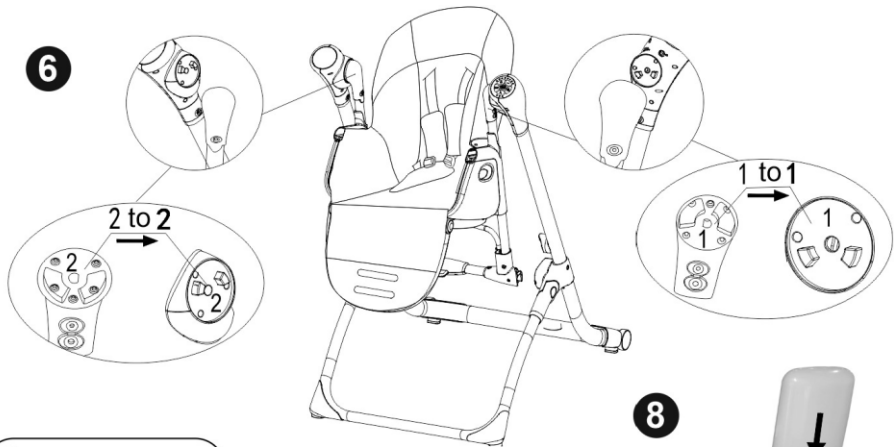
PL-Zeskanuj kod QY, aby otrzymać więcej informacji, oraz instrukcję użytkowania w większej ilości języków. Pobierz aplikację skanera kodów QR na twoje urządzenie.

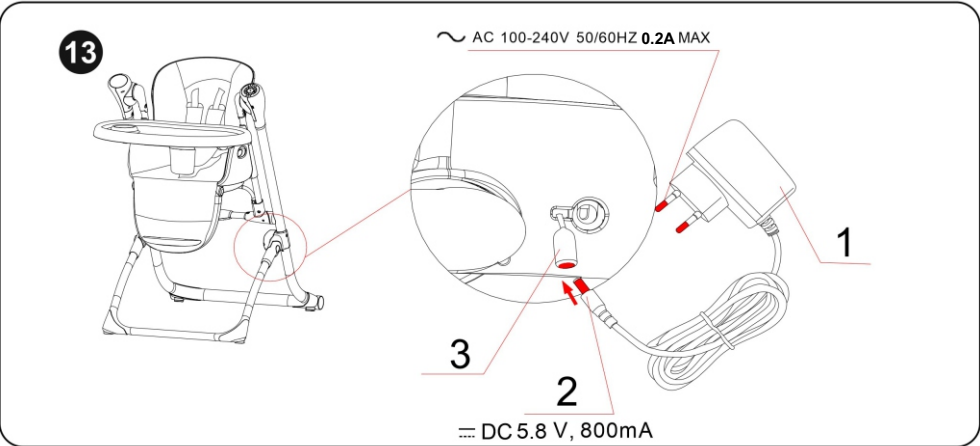
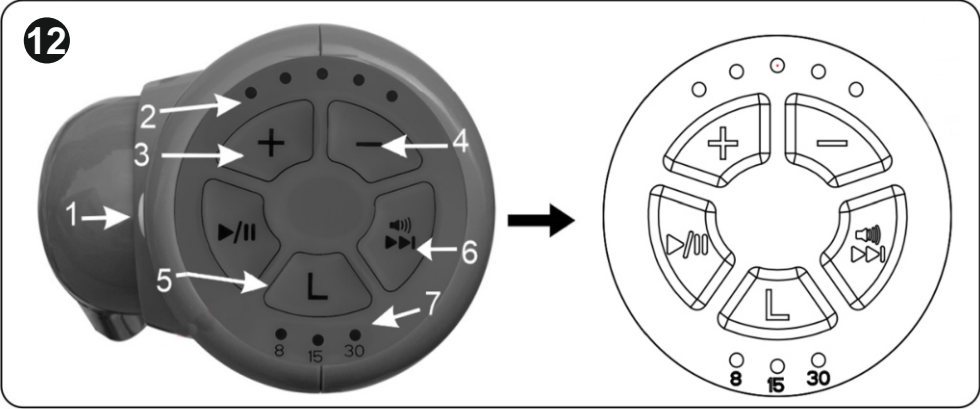
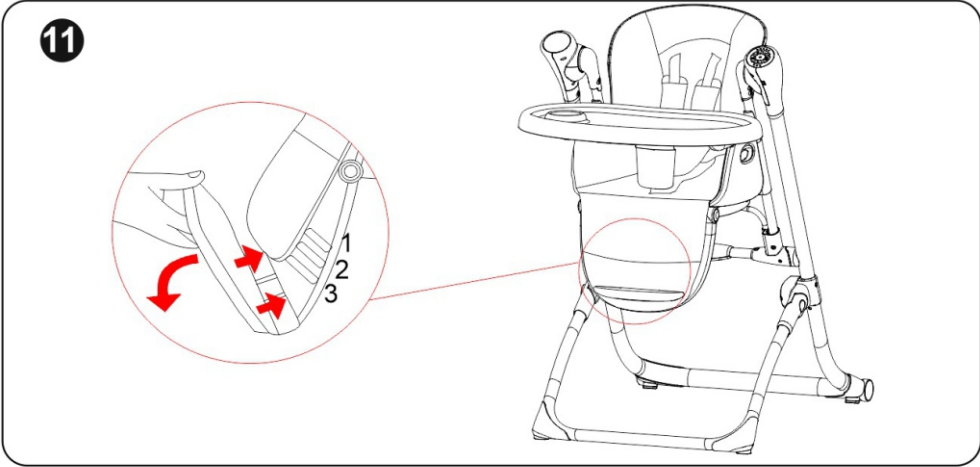
MK-Скенирај го QR кодот за да добиеш повеќе информации за производот и упатство за користење, на повеќе јазици. Симнете ја апликацијата QR Scanner App на вашиот уред.

TR-Detaylı ürün bilgisi ve çoklu dilde kullanma klavuzu için QR kodu okutunuz. QR barkod okuyucuyu cihazınıza indiriniz.

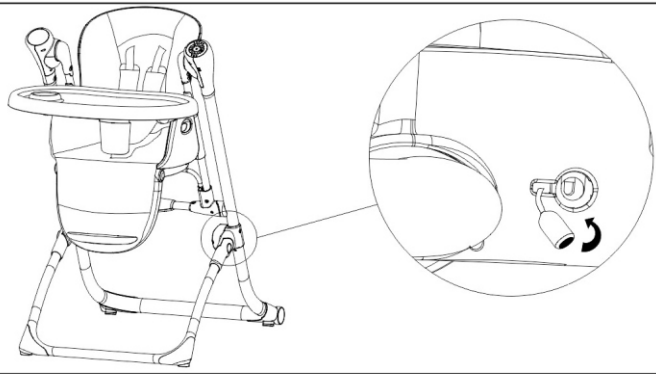




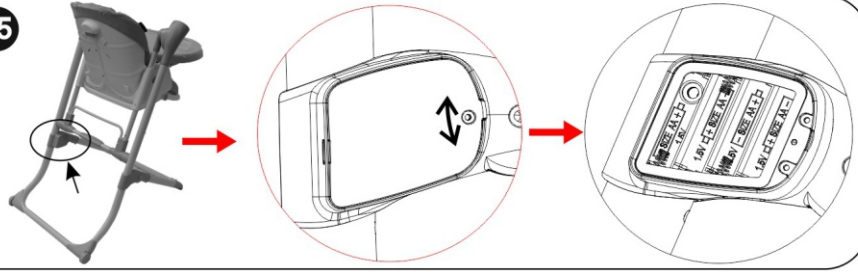




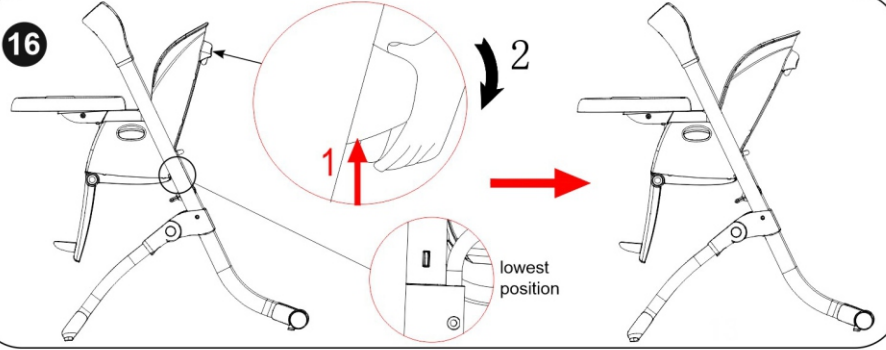
14



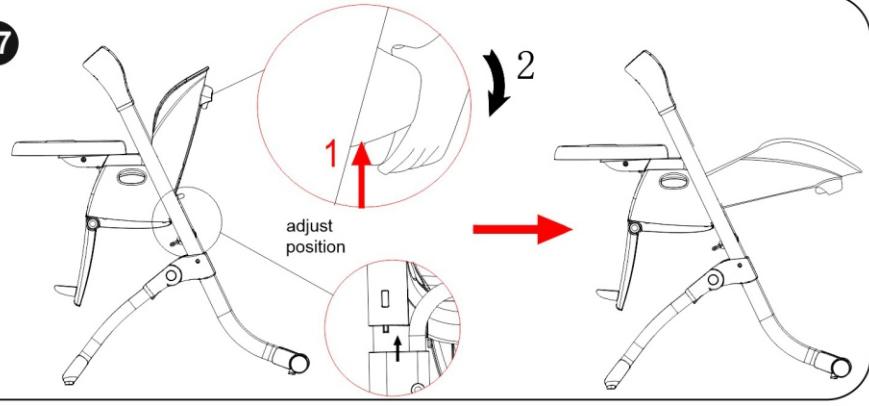
15

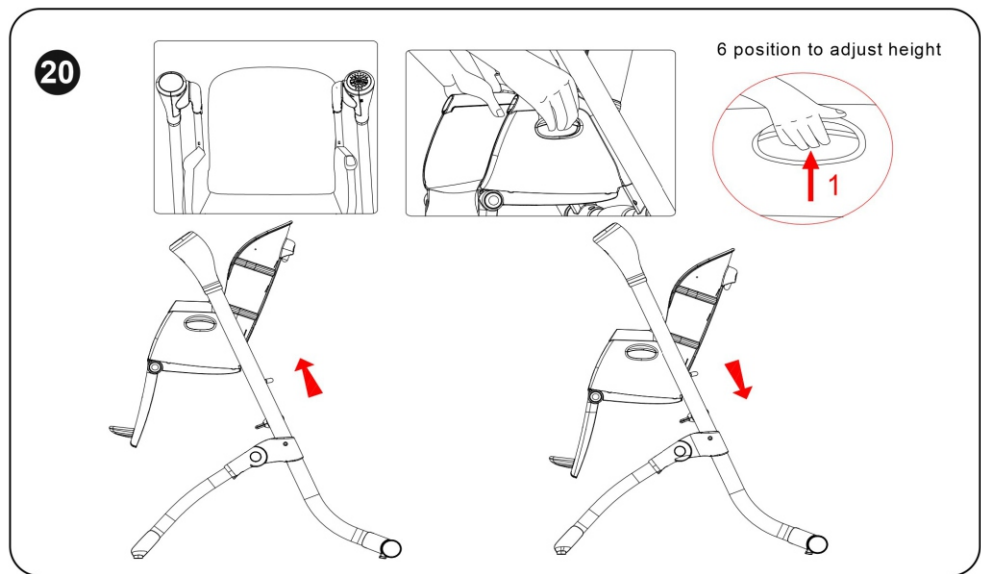
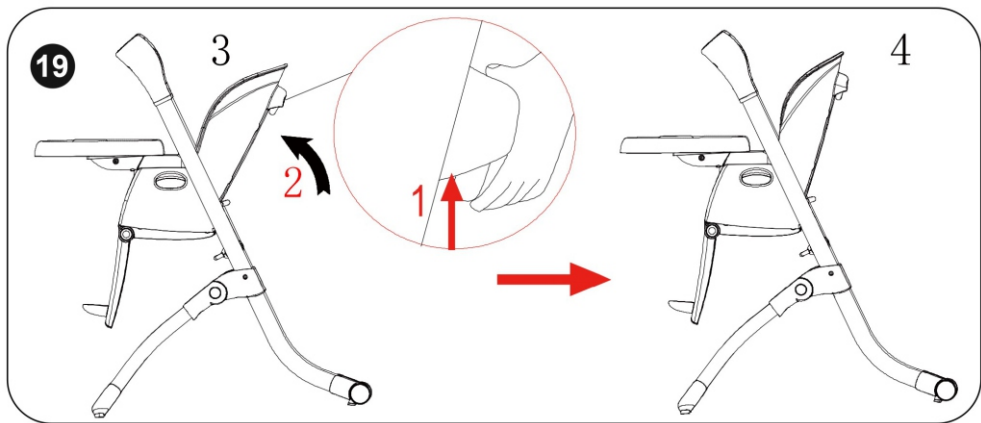
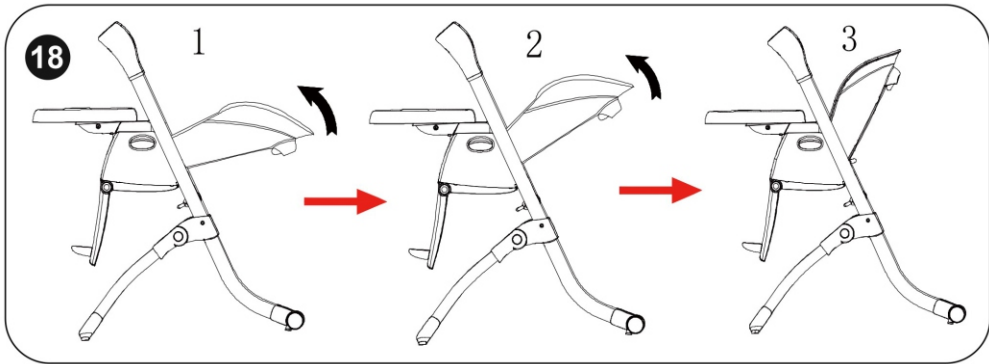


16

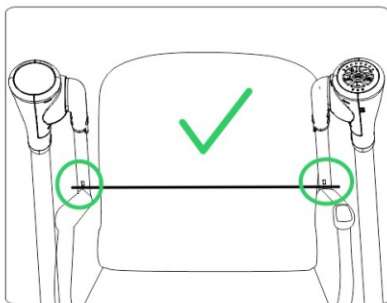


17

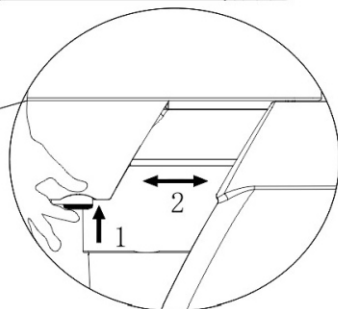
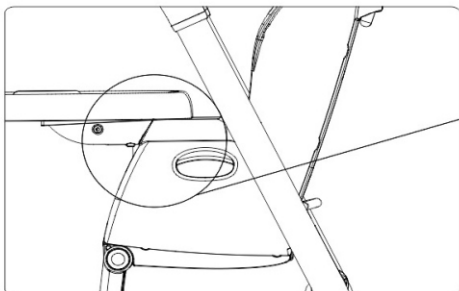




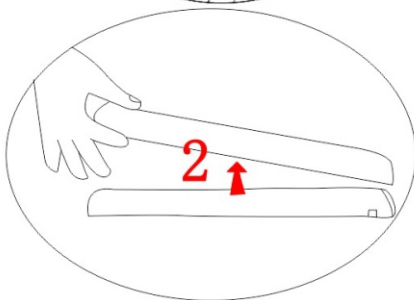
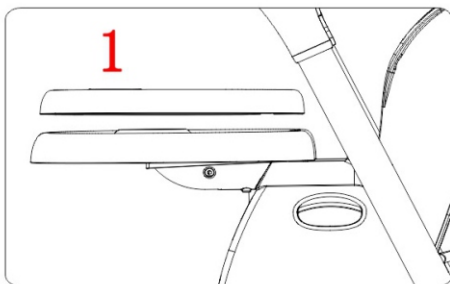
21



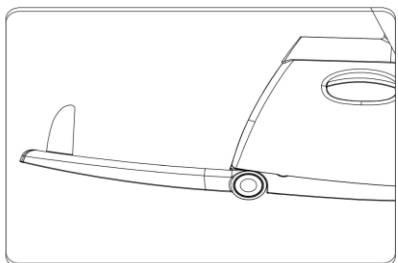
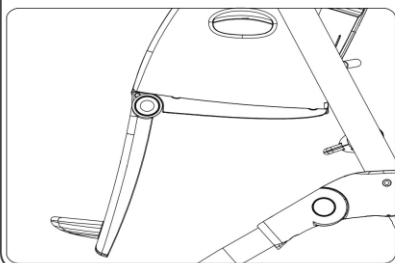
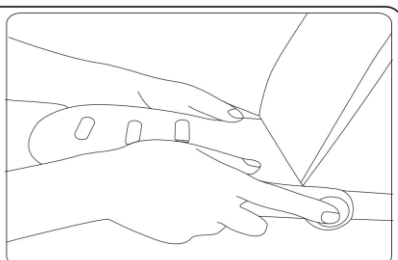
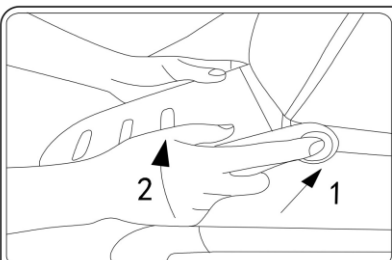
22



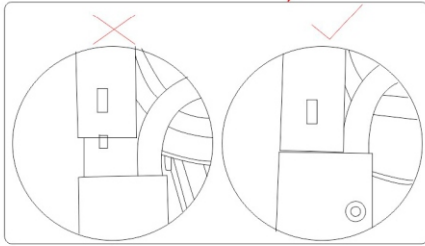
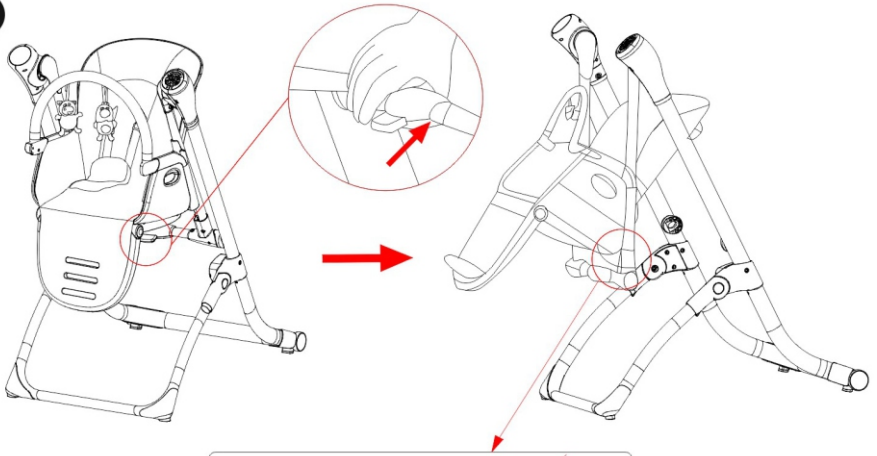
23



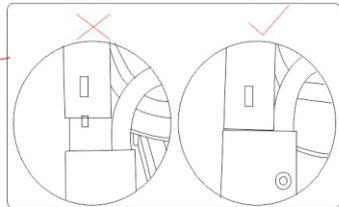
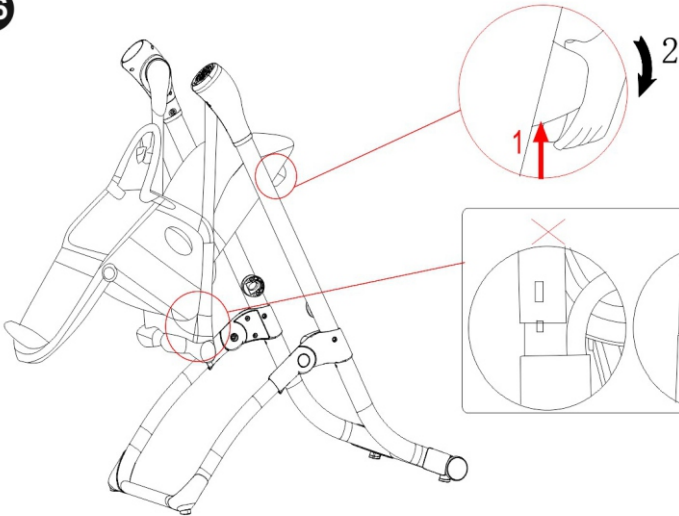
24

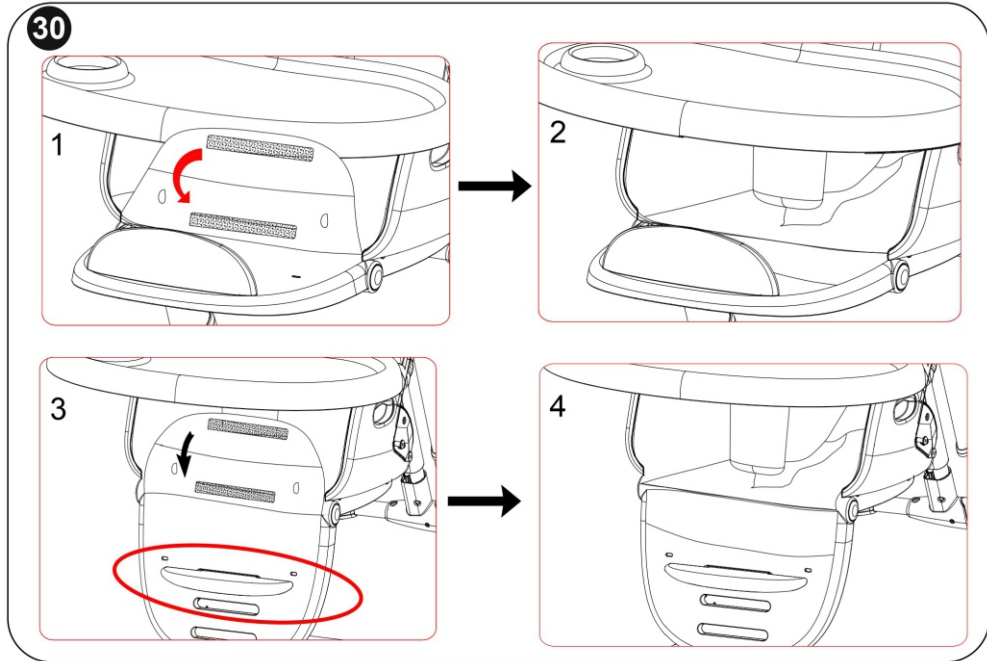
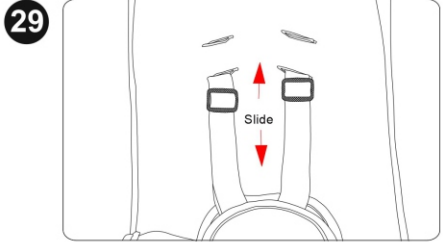
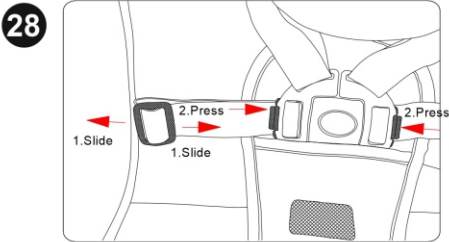
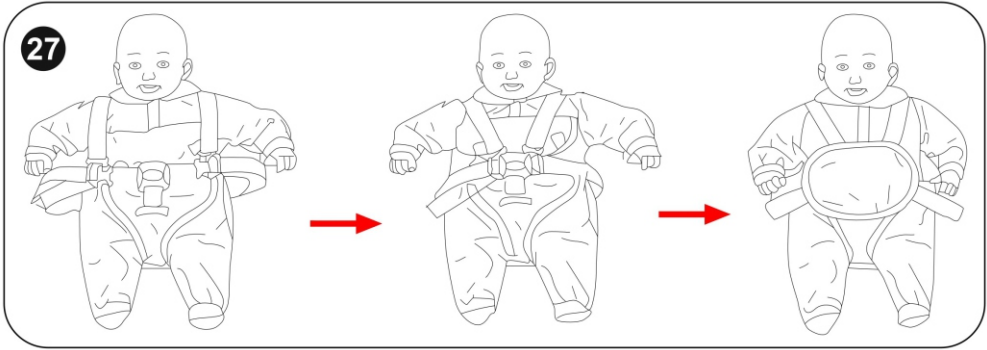


25



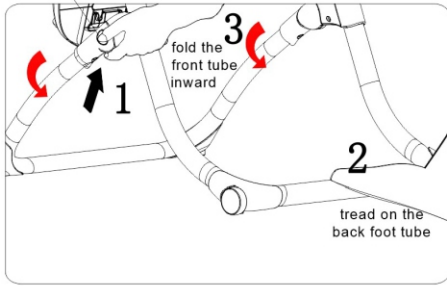
26



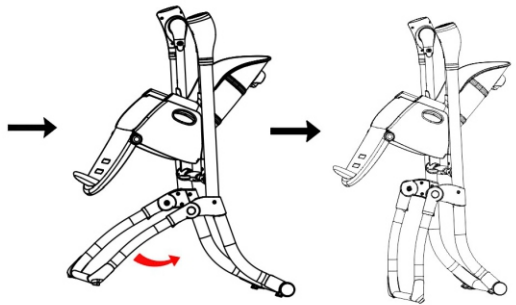


31

Button to fold up

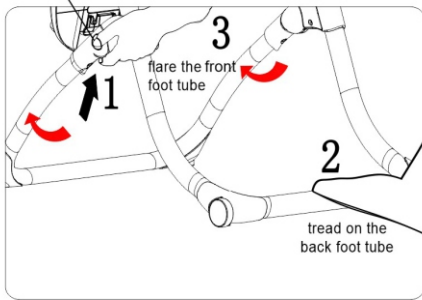


tread on the back foot tube

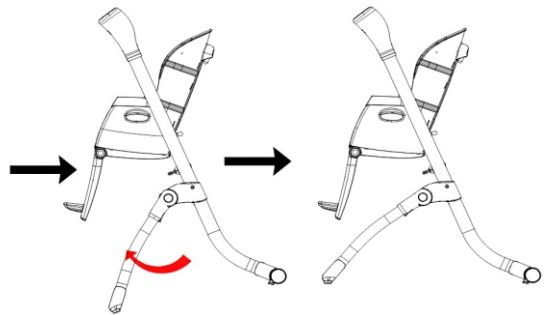


32

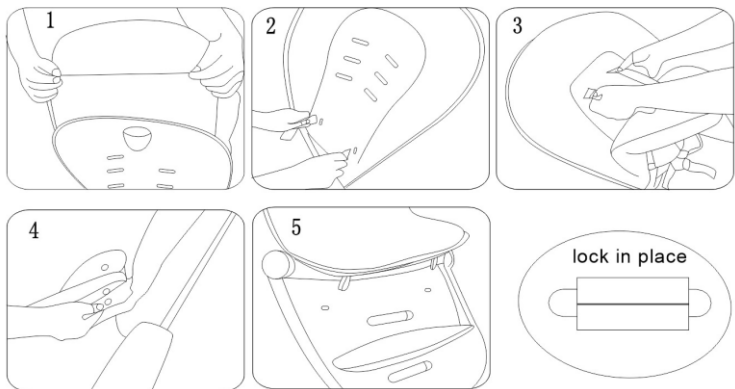
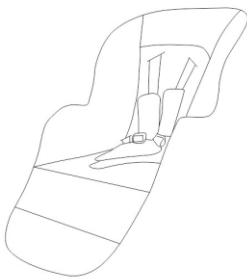
Button to fold up



tread on the back foot tube



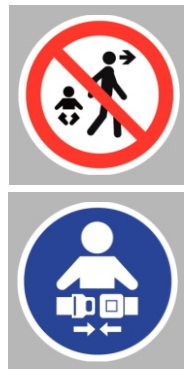
33



IMPORTANT! READ CAREFULLY AND KEEP FOR FUTURE REFERENCE!

SAFETY REQUIREMENTS

1. **WARNING!** Never leave the child unattended!
2. **WARNING!** Always use the restraint system !
3. **WARNING!** Falling hazard : Prevent your child from climbing on the product!
4. **WARNING!** Do not use the product unless all components are correctly fitted and adjusted!
5. **WARNING!** Be aware of the risk of open fires and other sources of strong heat in the vicinity of the product!
6. **WARNING!** Be aware of the risk of tilting when your child can push its feet against a table or any other structure!
7. **WARNING!** Do not use the product if any part is broken , torn or missing!
8. **WARNING!** SWING IS SUITABLE FOR CHILDREN OF 0-6 MONTHS AND MAXIMUM WEIGHT 9kg.
9. **WARNING!** To avoid injury ensure that children are kept away when unfolding and folding this product.
10. **WARNING!** Do not use this product as a swing once your child can sit up unaided or weights more than 9 kg!
11. **WARNING!** This product as a high chair is intended for children able to sit up unaided and up to 3 years or a maximum weight of 15 kg!
12. **WARNING!** Do not use the high chair until your child can sit up unaided!
13. **WARNING!** Periodically check the buttons and harness system for safety !
14. **WARNING!** Always use the chair on a flat even surface !
15. **WARNING!** Keep the chair away from children when don't use it !
16. **WARNING!** THE PRODUCT MUST NOT BE USED AS A TOY!
17. **WARNING!** MAKE SURE THE HARNESS IS CORECTLY FITTED!
18. **WARNING!** Never use this product on an elevated surface (e.g. a table or near to stairs)
19. **WARNING!** Toy bar is an additional article! Keep removed toy bar on a safety place! Never use the toy bar to carry the product !
20. **WARNING!** Do not let children play with the product!
21. **WARNING!** For domestic use only
22. **WARNING!** This product is not intended for prolonged periods of sleeping!
23. **WARNING!** Do not move or lift this product with the baby inside it!
24. **WARNING!** Regularly check for loose parts! Make routine inspection, regularly maintain, clean and/or wash the article!
25. **WARNING!** Don't use the toy bar when start using the product as a feeding high chair!
26. **WARNING!** Images on the title page and in the instruction manual are only illustrative and may differ from the real product.



CAUTION: This package contains small parts in its unassembled state!

- Put the product on horizontal and even surfaces.
- On adjusting the backrest you must be sure that the mechanism is well locked in the chosen position.
- Use the upright position only when child has developed enough upper body control to sit without leaning forward.

- Do not leave the article near a switched on fan, heat sources, sharp objects and water containers.
- Always use the restraint system !
- This article does not replace a cot or a bed. Should your child need to sleep, then it should be placed in a suitable cot or bed.
- Do not use accessories or replacement parts other than those approved by the manufacturer.
- Adult assembly is required.
- Product features and accessories may vary from photographs.

EN 14988:2017+A1:2020, EN 16232:2013+A1:2018 , EN 62115 EN 71



Picture 1

PARTS

- | | |
|--|-------------------------|
| 1. Vertical bases - 2pcs. left and right | 6. Fixed sets - 1pcs. |
| 2. Front leg tube - 1 pcs. | 7. Foot rest - 1pcs. |
| 3. Rear leg tube - 1 pcs. | 8. Dinner plate - 1pcs. |
| 4. Seat lifting arm tubes - 2pcs. left and right | 9. Toy bar - 1pcs. |
| 5. Seat - 1 pcs. | 10. Adapter - 1pcs. |

ASSEMBLING

WARNING: It should be installed by adult.

1. Insert the front foot tube into the corresponding hole in the lower joint, A to A, until you hear the "click" sound. Picture 2
2. Insert the rear foot tube into the corresponding hole in the lower joint, B to B, until you hear the "click" sound. Picture 3
3. Insert the left and right arms into the seat group on both sides, C to C. Picture 4 .
4. Place the fixed sets under the seat and insert the left and right arms into the corresponding hole D-D. Picture 5
5. Assemble the left and right arms to the vertical bases like is shown on picture 6
6. Disassemble the left and right arms as use a hard thing with diameter about 4mm. Push the quick detachable button to disassemble. Picture 7
7. Install the plastic part under the tray (Picture 8). Install the dinner plate as is shown on Picture 9. Notice: Always use the high chair with dinner plate.
8. Install the toy bar as is shown on Picture 10. Notice: Always use the swing with toys bar.
9. Put small pedal on the pedal port and then press down. Picture 11. The foot rest can be adjusted at 3 positions.

SET UP AND USE

1. Description of the control panel. **Picture 12**

1.1. Turn on (Turn off) the device from button (1).

1.2. **Swing.** There are five levels to adjust the swing speed divided by (3) and (4) buttons. Above the buttons is the light indication (2) for the selected speed.

1.3. **There are three types of time setting** 8;15 and30 minutes. Press buton (5) once and light (7) will be on for 8 minutes. Press it second time, the light will be on for 15 minutes. Press it third time, the light will be on for 30 minutes. When setting time is reached, all functions will stop. If time setting function is not used, all using function will start working until power is off from button (1).

1.4. **Music button. (6).** Press the button to play the music. Press the button second, third and fourth time for volume. Next pressing will stop the music. Next pressing will start next melody.

2. **Adapter (1) Picture 13** - Insert DC plug (2) of adapter to DC receiver of chair (3) . Insert the AC plug (1) into AC 100-240V 50/60Hz 0.2A Max socket.

WARNING !!! For your own safety, please, use only the original power adapter. Input voltage AC 100 - 240 V 50-60Hz 0.2A Max / Output voltage : DC 5,8 V - 800 mA (The manufacturer shall not be liable for any losses incurred due to use of power adapters other than the one specified.) Do not use damaged power adapters. Do not touch the plug of the power adapter with conductive materials, for example rings.

Do not let the child to play with the adapter or with the batteries! Keep the adapter out of the reach of children when plugged in and has power !

Transformers used with the infant swing are to be regularly examined for damage to the cord, plug, enclosure and other parts, and in the event of such damages, they shall not be used. The infant swing shall only be used with the recommended transformer.

3. Batteries . When using battery power, disconnect the AC adapter from the mains and unplug it from the power socket of the product. Connect the product DC power socket to the battery compartment - Picture. 14. **WARNING!** Otherwise, the product can not be used with battery power!

This product use 4pcs. of batteries type AA - LR6 1,5 V.

Loosen the screws on the battery cover with a screwdriver. Open the cover. Picture 15.

The battery should be placed in the battery slot with correct polarity, "+ " and " - " !

CHANGE BATTERY

- Loosen the screws on the battery cover with a screwdriver. Open the cover.
- Place 4 pcs. 1,5 V type AA - LR6 alkaline batteries (not included) as indicated in the inside of the battery compartment.

Tip: It is recommended the use of alkaline batteries for extended operation.

- Reinstall the battery cover and tighten the screws with a screwdriver. Do not tighten excessively.
- If the product starts with malfunction, it may be necessary to reset the electronics. Remove batteries and then insert them again.
- When the sound begins to weaken or stop, it's time to change the battery by an adult!



Protect the environment by not disposing of this product with household waste (2012/19/EC).

Check the recommendations to local authorities about recycling (Only for Europe).

BATTERIES SAFETY INFORMATION

WARNING! In some special condition, from the battery may leak the liquid, which may cause a chemical burn or damage the product. To avoid battery's leakage:

-Do not mix old and new batteries or different types of batteries like alkaline, standard (carbon-zinc) or rechargeable batteries (Ni-Cr)

- Please insert the batteries as indicated inside of the battery compartment.
- If you don't use this product for a long time, please remove the batteries. When the batteries run of, remove it from the product. Please carefully dispose the waste batteries. Do not dispose the batteries in to the fire. The battery may explode or leak.
- Do not cause short circuit of the batteries terminal.
- Use only the same batteries or batteries from one type as is required .
- Do not recharge non rechargeable batteries .
- Take out the batteries from the product before recharging.
- If you use rechargeable batteries, the charging should be under adult control.

4. Adjusting of the back rest. When the seat and the arm is in lock state, the backrest only can be adjusted at 2 positions. Picture 16 . When adjust the height of chair seat to the second or above the second position, the backrest can be adjusted to any sitting position until lying.

Picture 17 **WARNING ! When adjusting the function, please let baby leave the chair first.**

Lifting the backrest: From position 1 to position 3, the backrest can only be lifted by lifting by hand. Picture 18 **WARNING: To lift the backrest from 3rd to 4th position, press the backrest adjustment button.** Picture 19

WARNING: Damages of the backrest adjustment mechanism due to improper use are not covered by the product warranty!

5. Adjusting of the height of the seat. There are 6 different height for adjust. Picture 20. Press together the adjustment buttons on both sides and adjust. Keep both sides of the seat at the same height, until you hear "click" sound , and the seat to be fixed horizontally. Picture 21

Warning! Seat adjustment button must be bounced back, if you find any side of the seat is not fixed, loose or not work. Please fix it before use. Both sides of the seat must be fixed, keep the seat in the designated height, otherwise there will be dangerous!

6. Adjust the dining plate like is shown on picture 22. The upper tray , can be removed for cleaning. Picture 23

7. Adjust the footrest in 4 positions , as press together the buttons of the both sides . Picture 24

8. Swing . Warning ! Only while the seat is at lowest position, the high chair can be converted to swing !!! Push the button under the seat (Picture 25) to release the swing. The same step for swing convert to high chair **Warning : In swing status, the seat height can't be adjusted.**

WARNING! The swing rocking function must be closed when swing convert into high chair, or it will affect the life span of motor. The seat height can't be adjusted up and down once it is in swing status.

In swing status, backrest can be adjusted to 2 positions ! Picture 26

SECURE YOUR CHILD

WARNING : Always use the restraint system ! Picture 27 Place your child into the seat. Position the restraint pad between your child's legs. Fasten the waist belts to each side of the restraint pad. Make sure you hear a "Click" on both sides. Check to be sure the restraint system is securely attached by pulling it away from your child. The restraint system should remain attached. Tighten each waist belt so that the restraint system is snug against your child.

Adjusting the length of the belts: Adjust the waist belts with pressing of the button and sliding of the buckle (Picture 28) and the shoulder belts with sliding of the buckle (Picture 29).

9. When the footrest is placed in the bottom position, you can release the upholstery from the velcro and stretch it. Picture 30 -1; 2. When setting the footrest to the top, fold the upholstery. Picture 30-3;

10. Folding the chair - Stand behind the chair. Step on the rear tube. Tilt the chair slightly backwards. Simultaneously press the release buttons on both sides of the legs. Picture 31 Fold the front tube to the rear.

Perform the procedure in reverse order to unfold. Photo 32

Removing the upholstery

1. Remove all belts as shown in Fig.33

2. Remove the upholstery of the seat and backrest as shown in Fig.33

MAINTENANCE AND CARE

1. Wash the pad with cold water and soft soap. Dry naturally. Do not use bleach. Tumble dry separately on low heat and remove promptly.

2. The frame, toy bar and toys may be wiped clean using a mild cleaning solution and a damp cloth. Do not use harsh or abrasive cleaners. Rinse clean with water to remove residue. Do not immerse the frame or the toys.

STORAGE

1. Remove the batteries and store away from children.

ВАЖНО! ПРОЧЕТЕТЕ ВНИМАТЕЛНО И ЗАПАЗЕТЕ ЗА БЪДЕЩИ СПРАВКИ!

ИЗИСКВАНИЯ ЗА БЕЗОПАСНОСТ

1. **ВНИМАНИЕ!** Никога не оставяйте детето без надзор!
2. **ВНИМАНИЕ!** Винаги използвайте затварящата система!
3. **ВНИМАНИЕ!** Опасност от падане: Не позволявайте на детето да се катери по продукта !
4. **ВНИМАНИЕ!** Не използвайте продукта, ако някоя част не е поставена правилно и стабилно !
5. **ВНИМАНИЕ!** Имайте предвид, че е опасно продуктът да се поставя в близост до открит огън и други източници на силна топлина!
6. **ВНИМАНИЕ!** Риск от накланяне, ако детето може да достигне до маса или друга структура с краче!
7. **ВНИМАНИЕ!** Не използвайте продукта ако някоя част е счупена, разкъсана или липсва !
8. **ВНИМАНИЕ!** ЛЮЛКАТА Е ПОДХОДЯЩА ЗА ДЕЦА ОТ 0-6 МЕСЕЦА И МАКСИМАЛНО ТЕГЛО 9КГ.
9. **ВНИМАНИЕ!** За да избегнете наранявания, се уверете, че при операциите по отваряне и затваряне на продукта децата са далеч !
10. **ВНИМАНИЕ!** Не използвайте продукта като люлка когато детето започне да стои без чужда помощ или тежи повече от 9 кг!
11. **ВНИМАНИЕ!** Този продукт като столче за хранене е предназначен за деца, които могат да седят без чужда помощ и са на възраст до 3 години или с максимално тегло 15 кг!
12. **ВНИМАНИЕ!** Не използвайте столчето за хранене докато детето не започне да седи без чужда помощ!
13. **ВНИМАНИЕ!** Периодично проверявайте предпазните колани и бутоните!
14. **ВНИМАНИЕ!** Винаги използвайте столчето върху равни повърхности!
15. **ВНИМАНИЕ!** Съхранявайте столчето далеч от деца, когато не е в употреба!
16. **ВНИМАНИЕ!** Продуктът не бива да се използва като играчка!
17. **ВНИМАНИЕ!** УВЕРЕТЕ СЕ, ЧЕ ВСИЧКИ КОЛАНИ СА МОНТИРАНИ ПРАВИЛНО!
18. **ВНИМАНИЕ!** Никога не използвайте продукта върху повдигната над земята повърхност (напр. маса или в близост до стълби)
19. **ВНИМАНИЕ!** Грифът с играчки е допълнителен артикул! Пазете немонтираната приставка с играчки далеч от достъпа на деца! Никога не използвайте грифа с играчки за носене на продукта !
20. **ВНИМАНИЕ!** Не позволявайте на детето да си играе с продукта !
21. **ВНИМАНИЕ!** ЗА УПОТРЕБА САМО В ДОМАШНИ УСЛОВИЯ!
22. **ВНИМАНИЕ!** Този продукт не е предназначен за продължително спане!
23. **ВНИМАНИЕ!** Не пренасяйте или вдигайте продукта докато бебето е в него!
24. **ВНИМАНИЕ!** Периодично проверявайте за разхлабени части! Редовно преглеждайте, поддържайте и почиствайте !
25. **ВНИМАНИЕ!** Не използвайте грифа с играчки, когато започнете да използвате продукта като столче за хранене!
26. **ВНИМАНИЕ!** Изображенията на заглавната страница и вътре в инструкцията са примерни и може да се различават от действителния продукт.



ПРЕДУПРЕЖДЕНИЕ: Тази опаковка съдържа малки части в несглобено състояние!

- Поставете столчето върху хоризонтални и равни повърхности.
- При регулиране положението на облегалката, следва да се убедите, че механизмът е добре заключен в избраната позиция.
- Използвайте изправената позиция, само когато детето достатъчно е развило контрола на горната част на тялото си, за да може да остане седнало без да се накланя напред.
- Не оставяйте артикула до работещ вентилатор, отоплителни прибори, остри предмети, съдове с вода.
- Винаги използвайте системата от колани!
- Този артикул не замества кошара или легло. В случай, че вашето дете трябва да спи, тогава трябва да бъде поставено в подходяща кошара или легло.
- Не използвайте аксесоари или резервни части, различни от тези, които са одобрени от производителя.
- Необходимо е сглобяването да се извърши от възрастен.
- Характеристиките и аксесоарите на продукта може да се различават от снимките.

БДС EN 14988:2017+A1:2020, БДС EN 16232:2013+A1:2018, БДС EN 62115, БДС EN 71



Снимка 1

ЧАСТИ

1. Вертикални основи - 2бр. лява и дясна
2. Тръба на предния крак - 1бр.
3. Тръба на задния крак - 1бр.
4. Тръби за окачване на седалката - 2бр. лява и дясна
5. Седалка - 1бр.
6. Механизъм за фиксиране на седалката - 1бр.
7. Стъпенка - 1бр.
8. Поднос за храна - 1бр.
9. Гриф с играчки - 1бр.
10. Адаптер - 1бр.

СГЛОБЯВАНЕ

ВАЖНО : Трябва да бъде сглобено от възрастен !

1. Вкарайте тръбата на предния крак в съответния отвор А-А на вертикалната основа докато чуete клик. Снимка 2
2. Вкарайте тръбата на задния крак в съответния отвор В-В на вертикалната основа докато чуete клик. Снимка 3
3. Вкарайте лявата и дясната тръба за окачване на седалката в отворите С-С от двете страни на основата на седалката както е показано на снимка 4 .
4. Поставете механизма за фиксиране на седалката под седалката и съединете отворите D-D с долната част на окачващите тръби на седалката. Снимка 5
5. Окачете седалката към основата на стола , както е показано на снимка 6.
6. За отстраняване на тръбите от основата , натиснете с твърд предмет с диаметър около 4мм бутона за освобождаване . Снимка 7
7. Поставете пластмасовата част под таблата (Снимка 8) Поставете подноса за храна както е показано на снимка 9. **Бележка:** Винаги използвайте стола за хранене с подноса за хранене
8. Поставете грифа с играчки както е показано на снимка 10. **Бележка:** Винаги използвайте люлката с грифа за играчки.
9. Поставете стъпенката на основата и след това натиснете надолу. Снимка 11 . Стъпенката може да бъде поставена в един от трите отвора за регулиране.

ИЗПОЛЗВАНЕ

1. Описание на контролния панел **Снимка 12**
 - 1.1. Включете (изключете) устройството от бутон (1).
 - 1.2. **Люлка.** Има 5 степени за регулиране на скоростта на люлката чрез бутоните (3) и (4) .Над бутоните е разположена светлинната индикация (2) за избраната скорост.
 - 1.3. **Таймер** - 3 степени 8;15 и 30 минути. Натиснете бутон (5) веднъж и ще светне първата индикацията (7) за 8 минути. При второ натискане ще светне индикацията за 15 минути и при трето индикацията за 30 минути. При достигане на избраното време , всички функции ще спрат. Ако не е избрана функцията таймер, всички избрани функции ще работят докато не бъде спряно захранването от бутон (1).

1.4. Музикален бутон (6). Натиснете бутона да да пуснете музика. Натиснете бутона втори , трети и четвърти път - звука ще се усили. Натиснете още веднъж за да спрете музиката. При следващо натискане ще се изпълни друга мелодия.

2. Адаптер (1) Снимка 13 - Свържете буксата на адаптера (2) със захранващата буква на устройството (3). Включете адаптера (1) към контакта на захранващата мрежа.

ВНИМАНИЕ !!! С оглед на вашата безопасност , моля използвайте оригиналния захранващ адаптер. Входящо напрежение AC 100 - 240 V 50 / 60Hz 0.2A Max / Изходящо напрежение : DC 5,8 V - 800 mA (Производителят не носи отговорност за всякакви загуби , нанесени поради употребата на различни от предвидения от производителя захранващ адаптер.) Не използвайте повреден захранващ адаптер. Не контактувайте със щепсела на захранващия адаптер с проводници , например с пръстени. Не позволявайте на детето да си играе с адаптера или батериите ! Пазете адаптера от достъпа на детето, когато е включен в мрежата и е под напрежение ! Трансформаторите, използвани за бебешката люлка, трябва периодично да бъдат проверявани за повреди по кабела, щепсела, корпуса и други части, и в случай на такива повреди, не трябва да бъдат използвани! Детската люлка трябва да се използва единствено с препоръчания трансформатор.

3. Батерии. Когато се използват батерии , изключете адаптера и приберете захранващата буква - снимка 14. Този продукт използва 4бр. батерии тип AA - LR6 1,5 V.

Развийте болта и отворете капака на отделението за батерии Снимка 15.

Батериите трябва да бъдат поставени в съответствие с посочената плянрост "+“ и “-“ !

СМЯНА НА БАТЕРИИТЕ

Поставете 4бр. 1,5V тип AA - LR6 алкални батерии (не са включени в комплекта) както е посочено във вътрешната страна на отделението за батерии.

Съвет: Препоръчваме употребата на алкални батерии за по-дълга работа.

- Поставете обратно капачето на батериите и затегнете винтовете с отвертка. Не затягайте прекомерно.

- Ако продуктът започне да работи неправилно, може да е необходимо да пренастроите електрониката. Премахнете батериите и след това ги поставете отново.

- Когато звукът започне да отслабва или спре, е време батериите да се сменят от възрастен!



Пазете околната среда, като не изхвърляте този продукт с домашни отпадъци (2012/19/ЕС). Проверете препоръките на местните власти относно рециклирането (само в Европа).

ИНФОРМАЦИЯ ЗА БЕЗОПАСНОСТТА НА БАТЕРИЯТА

ВНИМАНИЕ! В отделни случаи от батериите може да потекат течности, които да причинят химично изгаряне или да разрушат продукта. За да избегнете теч от батериите:

- Не смесвайте нови и стари батерии или такива от различни типове: алкални, стандартни (въглерод - цинк) или зареждащи се (никел - кадмий).

- Поставете батериите на мястото им, както е посочено.

- Изваждайте батериите в случаи на неизползване на продукта за дълго време. Винаги изваждайте от продукта изтощените батерии. Изхвърляйте ги безопасно. Не хвърляйте продукта в огън. Батериите може да избухнат или потекат.

- Не предизвиквайте късо съединение в батериите.

- Използвайте само еднакви батерии или такива от един тип, според препоръките.

- Не зареждайте батерии, които не се зареждат. ; - Извадете батериите от продукта преди да ги заредите. ; - Ако използвате батерии, които могат да се зареждат, зареждането да се извършва под контрола на възрастен.

4. Регулиране на облегалката. Когато седалката е в най-долна позиция и е заключена към основата , облегалката може да се регулира само в 2 позиции. Снимка 16 .

Когато нагласите височината на седалката на втора или по-горна позиция, тогава облегалката може да се регулира във всички позиции до легнало положение. Снимка 17

Внимание : Когато извършвате настройка на седалката , извадете детето от стола !

Вдигане на облегалката: От позиция 1 до позиция 3 облегалката може да бъде вдигната само чрез повдигане с ръка. Снимка 18 **Внимание:** За да вдигнете облегалката от 3та до 4та позиция натиснете бутона за регулиране на гърба на облегалката. Снимка 19

Внимание : Счупвания на механизма за регулиране на облегалката поради неправилна употреба не се покриват от гаранцията на продукта !

5. Регулиране на височината на седалката. 6 степени на регулиране на височината. Снимка 20 Натиснете едновременно бутоните от двете страни на седалката и регулирайте.

Дръжте седалката хоризонтално , така , че при пускане на бутоните да се чуе „ Клик „ и седалката да се фиксира еднакво от двете страни. Снимка 21 **Внимание :** Бутоните за регулиране трябва да се върнат сами когато седалката е фиксирана. Моля преди употреба проверете дали седалката е добре фиксирана и от двете страни! Ако не е, регулирайте отново!

6. Регулирайте подноса за храна както е показано на снимка 22. Горната табла може да бъде демонтирана за почистване от основата . Снимка 23

7. Регулирайте поставката за крачета в 4 позиции, като натиснете едновременно бутоните от двете страни. Снимка 24

8. Люлка . Внимание ! Столът се преобразува в люлка само когато седалката е в най-долна позиция !!! Натиснете бутона под седалката (Снимка 25) за да освободите люлката. **Внимание :** В позиция на люлка , височината на седалката не може да бъде регулирана ! Електрическата опцията за люлеене, трябва да бъде изключена когато люлката бъде застопорена, т.к това може да окаже влияние на продължителността на живот на мотора! Моля , проверявайте дали люлката е освободена преди пускането на мотора ! В позиция на люлка, облегалката може да бъде регулирана само в две позиции! Снимка 26

ИЗПОЛЗВАНЕ НА КОЛАНИТЕ

Внимание : Винаги използвайте обезопасителната система ! Снимка 27 Поставете детето си на седалката. Поставете подложката на колана между краката на детето. Закопчайте колана за кръста от всяка страна на подложката. Закопчайте всеки колан така , че да прилепва плътно към детето ви. Уверете се , че чувате звука от изщракването. Проверете дали колана е добре закопчан като го издърпате.

Регулиране дължината на колана: Регулирайте коремните колани чрез натискане на бутона и плъзгане на катарамата (Снимка 28) и раменните колани чрез плъзгане на катарамата (Снимка 29).

9. Когато стъпенката е поставена в най-долна позиция, можете да освободите тапицерията от велкро лентата и да я изпънете. Снимка 30-1;2 . При поставяне на стъпенката в най-горна позиция , прегънете тапицерията. Снимка 30-3;4.

10. Сгъване на стола - Застанете зад стола. Стъпете върху задната тръба. Наклонете стола леко назад Едновременно натиснете освобождаващите бутоните от двете страни на краката. Снимка 31 Свийте предната тръба към задната.

Извършете процедурата по обратен ред за разгъване. Снимка 33

Премахване на тапицерията:

1. Отстранете всички колани както е показано на Фиг. 33

2. Отстранете тапицерията на седалката и облегалката както е показано на Фиг. 33

ПОЧИСТВАНЕ И ГРИЖИ

1. Перете тапицерията с хладка вода и мек сапун. Сушете я по естествен път. Не избелвайте . Упоритите петна може да премахнете с не-абразивен почистващ крем.

2. Рамката , поставката за играчки и самите играчки може да се почистват с влажен парцал и слаб почистващ разтвор. Не използвайте силни и абразивни препарати. Изплаквайте с чиста вода , за да махнете остатъка от препаратите. Не потапяйте рамката или играчките във вода.

СЪХРАНЕНИЕ

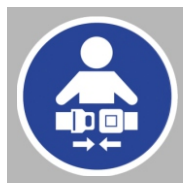
1. Премахнете батериите и съхранете далеч от деца.

IMPORTANT! CITIȚI CU ATENȚIE ȘI PĂSTRAȚI

RO ACEST DOCUMENT PENTRU CONSULTARE ULTERIOARĂ !

CERINTE DE SIGURANȚĂ

- 1. AVERTISMENT !** Nu lăsați niciodată copilul nesupravegheat!
- 2. AVERTISMENT !** Folosește sistemul de prindere!
- 3. AVERTISMENT !** Nu lăsa copiii să se urce pe acest produs!
- 4. AVERTISMENT !** Folosește produsul doar dacă toate componentele sunt asamblate corect!
- 5. AVERTISMENT !** Nu lăsa produsul în apropierea unei surse de căldură sau flacără deschisă!
- 6. AVERTISMENT !** Fiți conștienți de riscul de înclinare atunci când copilul își poate împinge picioarele împotriva unei mese sau a oricărei alte structuri!
- 7. AVERTISMENT !** Nu folosiți acel produs dacă există piese rupte, deteriorate sau lipsă!
- 8. AVERTISMENT! LEAGANUL ESTE POTRIVIT PENTRU COPIII IN VARSTA DE 0-6 LUNI SI GREUTATE MAXIMA 9 KG.**
- 9. AVERTISMENT !** Pentru evitarea leziunilor, asigurați-vă că cei mici se află la distanță în timpul!
- 10. AVERTISMENT!** Nu utilizați produsul ca leagan atunci cand copilul incepe sa stea fara ajutor sau cantareste mai mult de 9 kg!
- 11. AVERTISMENT!** Acest produs ca scaun de masa este destinat pentru copii care pot sta fara ajutor si sunt in varsta de pana la 3 ani sau cu o greutate maxima de 15 kg!
- 12. AVERTISMENT !** Nu folosiți masa pentru alimentație până când copilul nu începe să stea în șezut fără ajutor!
- 13. AVERTISMENT !** Verificați în mod periodic butoanele și sistemul de harnașament pentru siguranță!
- 14. AVERTISMENT !** Folosiți întodeauna măsuta pe o suprafață plată nivelată!
- 15. AVERTISMENT !** Țineți măsuta departe de copiii atunci când nu o folosiți!
- 16. AVERTISMENT !** Produsul nu trebuie să fie folosită pe post de jucărie!
- 17. AVERTISMENT !** Asigurați-vă că harnașamentul este montat în mod corect!
- 18. AVERTISMENT!** Nu folosiți niciodată produsul pe suprafețe înalte față de pardoseala (de exemplu masa sau în apropiere de scări)
- 19. AVERTISMENT!** Dispozitivul cu jucării este un articol suplimentar! Pastrati dispozitivul cu jucarii departe de accesul copiilor! Nu utilizați bara cu jucării pentru a transporta a produsului !
- 20. AVERTISMENT!** Nu lasati copilul dvs. sa se joace cu produsul!
- 21. AVERTISMENT!** Numai pentru uz casnic !
- 22. AVERTISMENT!** Acest produs nu este destinat pentru somn prelungit!
- 23. AVERTISMENT!** Nu transportati sau ridicati produsul timp in care copilul se afla inaustru!
- 24. AVERTISMENT!** Verificați periodic dacă nu sunt părți desprinse ! Verificați, întrețineți și curățați !
- 25. AVERTISMENT!** Nu utilizați bara cu jucării, atunci cand incepeti sa utilizati produsul ca scaun de masa!
- 26. AVERTISMENT!** Ilustratiile de pe pagina de titlu și din cadrul manualului sunt exemple și ar putea diferi de produsul real.



AVERTISMENT: Acest ambalaj contine piese cu dimensiuni mici in stare neasamblata!

- Amplasati scaunul pe suprafete orizontale si netede.

- In cazul reglarii pozitiei spatelui, urmeaza sa va asigurati, ca mecanismul este bine fixat in pozitia selectata.

- Folositi pozitia ridicata numai atunci cand copilul are dezvoltat suficient controlul partii superioare a corpului sau pentru a putea ramane asezat fara a se apleca inainte.

- Nu folositi sezlongul ca scaun auto, deoarece acesta nu este destinat pentru acest scop.

- Nu lasati sezlongul in apropiere de ventilator cuplat, dispozitive de incalzire, obiecte ascutite, recipiente cu apa.

- Folositi intotdeauna sistemul de curele, pana cand copilul se va invata sa intre sau sa iasa din produs fara ajutor strain.

- Acest sezlong nu inlocuieste tarcul sau patutul. In cazul in care copilul dvs. trebuie sa doarma, acesta trebuie pus la culcat in tarc sau patut corespunzator.

- Nu folositi accesorii sau piese de schimb, altele decat cele aprobate de catre producator.

- Este necesar ca ansamblarea sa fie efectuata de catre un adult.

- Caracteristicile și accesoriile produsului pot diferi decat cele din fotografie.

EN 14988:2017+A1:2020, EN 16232:2013+A1:2018, EN 62115 EN 71



COMPONENTE

Figura 1

- | | |
|--|--|
| 1. Baze verticale – 2 buc. stanga si dreapta | 6. Mecanism pentru fixare sezut – 1 buc. |
| 2. Tub la piciorul din fata – 1 buc. | 7. Suport pentru picioare – 1 buc. |
| 3. Tub la piciorul din spate – 1 buc. | 8. Tavita pentru alimente – 1 buc. |
| 4. Tuburi suspensie sezut – 2 buc. stanga si dreapta | 9. Bara cu jucarii – 1 buc. |
| 5. Sezut – 1 buc. | 10. Adaptor – 1 buc. |

ASAMBLARE

IMPORTANT : Trebuie asamblat de catre un adult!

1. Introduceți tubul piciorului din fata in orificiul respectiv A-A al bazei verticale pana cand veti auzi sunetul click. Figura 2
2. Introduceți tubul piciorului din spate in orificiul respectiv B-B al bazei verticale pana cand veti auzi sunetul click. Figura 3
3. Introduceți tubul stang si drept pentru suspensia sezutului in orificiile C-C de ambele parti ale bazei sezutului, asa cum este prezentat in figura 4.
4. Pozitionati mecanismul de fixare al sezutului sub scaun si conectati orificiile D-D cu partea de jos a tuburilor de suspensie ale sezutului. Figura 5
5. Atasati sezutul de baza scaunului, asa cum este prezentat la figura 6.
6. Pentru indepartarea tuburilor de baza, apasati butonul de eliberare cu un obiect dur cu diametru de aproximativ 4mm. Figura 7
7. Instalați piesa din plastic sub tavă (fig.8) Pozitionati tavita pentru alimente asa cum este prezentat la figura 8. Mențiune: Folositi intotdeauna scaunul cu tavita pentru alimente
8. Pozitionati bara cu jucarii asa cum este prezentat la figura 10. Mențiune: Folositi intotdeauna leaganul cu bara pentru jucarii.
9. Pozitionati suportul picioare de baza, dupa care apasati in jos. Figura 11. Suportul picioare poate fi pozitionat intr-unul din cele trei orificii de reglare.

UTILIZARE

1. Descrierea panoului de comanda Figura 12
 - 1.1. Porniti (opriti) dispozitivul de la butonul (1).
 - 1.2. **Leagăn.** Exista 5 pozitii de reglare a vitezei leaganului prin butoanele (3) si (4). Deasupra butoanelor sunt amplasate indicatoarele luminoase (2) pentru viteza selectata.
 - 1.3. **Timer** – 3 pozitii 8; 15 si 30 minute. Apasati butonul (5) odata si se va aprinde primul indicator (7) pentru 8 minute. La a doua apasare se va aprinde indicatorul pentru 15 minute si la a treia indicatorul pentru 30 minute. La expirarea timpului selectat, toate functiile se vor opri. In cazul in care nu este selectata functia timer, toate functiile selectate vor functiona pana nu va fi oprita alimentarea de la butonul (1).
 - 1.4. **Buton muzical (6).** Apasati butonul pentru a porni muzica. Apasati butonul de doua, treia si patru ori – volumul va creste. Apasati inca odata pentru a opri muzica. La o urmatoare apasare se va interpreta o alta melodie.
2. **Adaptor (1)** Figura 13 – Conectati bucsa adaptorului (2) de bucsa de alimentare a dispozitivului (3). Cuplati adaptorul (1) la priza retelei de alimentare electrica.

AVERTISMENT !!! Pentru siguranta dumneavoastra, va rugam folositi adaptorul original de alimentare.

Tensiune de intrare: AC 100 - 240 V 50/60Hz 0.2A Max / Tensiune de iesire: DC 5,8 - 6 V - 800 mA .

(Producatorul nu poarta raspundere pentru daune cauzate in urma utilizarii adaptorului de alimentare diferit decat cel prevazut de catre producator.) Nu utilizati adaptor de alimentare defect. Nu intrati in contact cu stecherul adaptorului de alimentare prin cadrul cablurilor, mai ales daca purtati inele. Nu permiteti copilului sa se joace cu adaptorul sau bateriile! Pastrati adaptorul de accesul copilului, atunci cand este cuplat la retea si este sub tensiune! Transformatoarele utilizate la leaganul pentru copii, trebuie inspectate in mod periodic pentru eventuale defecte pe cablu, stecher, carcasa si alte componente si in cazul unor eventuale defecte, acestea nu trebuie utilizate! Leagănul pentru sugari trebuie utilizat numai cu transformatorul recomandat.

3. Baterii. Atunci cand utilizati alimentare cu baterii, deconectati adaptorul de la sursa de alimentare si scoateti bucsa acestuia din bucsa de alimentare a produsului. Conectati bucsa de alimentare a produsului de compartimentul pentru baterii – figura 14. **AVERTISMENT!** In caz contrar produsul nu poate fi utilizat cu alimentare de la baterii. Acest produs utilizeaza 4 buc. baterii tip AA 1,5 V - LR6 . Desfaceti surubul si deschideti compartimentul pentru baterii Figura 15.

Bateriile trebuie sa fie pozitionate in conformitate cu polaritatea mentionata “+” si “-“!

Slăbiți șuruburile din ușa compartimentului de baterii cu o șurubelniță. Scoateți ușa compartimentului de baterii.

Inserați 4 baterii alcaline AA 1,5V - LR6 după cum se indică în interiorul compartimentului de baterii.

Pont: Recomandăm utilizarea bateriilor alcaline pentru o funcționare mai îndelungată.

Înlocuiți ușa compartimentului de baterii și strângeți șuruburile cu o șurubelniță. Nu strângeți prea mult. Dacă produsul începe să funcționeze în mod neregulat, s-ar putea să trebuiască să resetați partea electronică. Scoateți bateriile și înlocuiți-le.

Atunci când sunetul devine slab sau se oprește este momentul ca adultul să schimbe bateriile!



Păstrați mediul înconjurător năruncând la întâmplare acest deșeu menajer al produsului (2012/19/EC)
Verificați la autoritatea locală pentru sfaturi de reciclare și facilități (doar pentru Europa).

Informații despre siguranța bateriilor

AVERTISMENT ! In cazuri excepționale, din baterii se pot scurge fluide care pot provoca rănirea prin ardere chimică sau distrugerea produsului.

Pentru a evita curgerea bateriilor:

- Nu amestecați bateriile vechi cu cele noi sau bateriile de diferite tipuri: alcaline, standard (carbon-zinc) sau reîncărcabile (nichel - cadmiu).
- Inserați bateriile după cum se indică în interiorul compartimentului de baterii.
- Scoateți bateriile pe perioade lungi de neutilizare. Scoateți întotdeauna bateriile epuizate din produs. Aruncați bateriile în siguranță. Nu aruncați acest produs în foc. Bateriile din interior pot exploda sau curge.
- Nu scurtcircuitați terminalele bateriilor.
- Utilizați doar bateriile de același fel sau echivalent după cum se recomandă.
- Nu încărcați bateriile neîncărcabile.
- Scoateți bateriile reîncărcabile din produs înainte de încărcare.
- Dacă se pot scoate, se vor folosi baterii reîncărcabile, acestea se vor încărca sub supravegherea unui adult.

4. Reglarea spatului. Atunci cand sezutul se afla in pozitia cea mai joasa si este blocata de baza, spatul se poate regla numai in 2 pozitii. Figura 16. Atunci cand ajustati inaltimea sezutului in pozitia a doua sau mai superioara, atunci spatul se poate regla in toate pozitiiile pana in pozitie culcat. **Figura 17 Avertisment: Atunci cand efectuati ajustari la sezut, scoateti copilul din scaun!**

Ridicare spat: De la pozitia 1 la pozitia 3 spatul poate fi ridicat numai prin ridicare manuala. Figura 18 Avertisment: Pentru a ridica spatul de la pozitia 3 pana la pozitia 4 apasati butonul pentru reglarea aflat in spatele spatului. Figura 19 **Avertisment: Defecte asupra mecanismului pentru reglarea spatului datorita utilizarii necorespunzatoare nu sunt acoperite de garantia produsului !**

5. Reglarea inaltimii sezutului. 6 pozitii pentru reglarea inaltimii. Figura 20 Apasati simultan butoanele aflate pe ambele parti ale sezutului si reglati. Tineti sezutul in pozitie orizontala, astfel incat la eliberarea butoanelor sa se auda sunetul “click” si sezutul sa se fixeze in mod egal in ambele parti. Figura 21 **Avertisment: Butoanele pentru reglare trebuie sa revina singuri atunci cand sezutul este fixat. Va rugam, inainte de utilizare verificati daca sezutul este bine fixat de ambele parti! Daca nu, reglati din nou!**

6. Reglati tavita pentru alimente asa cum este prezentat la figura 22. Tablita superioara poate fi demontata de baza pentru curatare. Figura 23

7. Reglati suportul pentru picioare in 4 pozitii, prin apasarea simultana a butoanelor aflate de ambele parti. Figura 24

8. Leagan – Avertisment ! Scaunul se transforma in leagan doar atunci cand sezutul se afla in pozitia cea mai joasa! Apasati butonul aflat sub sezut (Figura 25) pentru a elibera leaganul. **Avertisment: In pozitie leagan, inaltimea sezutului nu poate fi reglata! Optiunea electrica pentru balansare, trebuie sa fie oprita atunci cand leaganul este blocat, deoarece acest lucru poate afecta durata de viata a motorului! Va rugam, verificati daca leagunul este eliberat inainte de a porni motorul!**
In pozitie leagan, spatarul poate fi reglat numai in doua pozitii! Figura 26

UTILIZAREA CURELELOR

Avertisment: Utilizati intotdeauna sistemul de siguranta! Figura 27 Asezati copilul dumneavoastra in sezut. Pozitionati perinuta aflata pe curea intre picioarele copilului. Fixati cureaua pentru talie de fiecare parte a perinutei. Fixati fiecare curea in asa fel incat acesta sa fie alipita bine de copilul dvs. Asigurati-va ca ati auzit sunetul de la inchidere. Verificati daca cureaua este bine fixata prin tragerea acesteia.

Reglarea lungimii curelei: Reglati centurile abdominale prin apasarea butoanelor si glisarea cataramii (Figura 28) si centurile din zona umerilor prin glisarea cataramii (Figura 29).

9. Atunci cand suportul pentru picioare este in pozitia cea mai joasa, puteti elibera tapiteria de banda velcro pentru a o intinde. Figura 30-1;2. La amplasarea suportului pentru picioare in pozitia cea mai superioara, roluiti tapiteria. Figura 30-3;4.

10. Plierea scaunului – Pozitionati-va in spatele scaunului. Calcati peste tubul din spate. Inclinati scaunul usor inspre spate. Apasati simultan butoanele de eliberare aflate de ambele parti ale picioarelor. Figura 31 Pliati tubul din fata catre cel din spate. Efectuati procedura in ordine inversa in caz de depliere. Figura 32

Inlaturarea husei:

1. Indepartati toate curelele asa cum este aratat la Figura 33
2. Indepartati husa de pe sezut si spatar asa cum este aratat la Fig.33

CURATARE SI INTRETINERE

1. Spalati tapiteria cu apa calduta si sapun moale. Uscati in mod natural. Nu albiti. Petele persistente puteti inlatura cu crema de curatare non-abraziva.
2. Cadrul, suportul pentru jucarii si insusi jucariile pot fi curatate cu o carpa umeda si solutie slaba de curatare. Nu folositi detergenti de curatare puternici si abrazivi. Clatiti cu apa curata pentru a inlatura resturile de detergent. Nu cufundati cadrul sau jucariile in totalitate in apa.

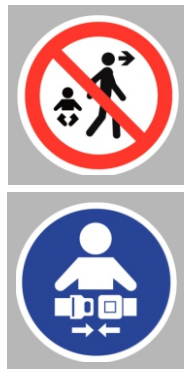
DEPOZITARE

1. Scoateți bateriile și țineți-le departe de copii.

WAŻNE! PRZECZYTAJ UWĄŻNIE I ZACHOWAJ NA PRZYSZŁOŚĆ JAKO ODNIESIENIE!

WYMOGI BEZPIECZEŃSTWA

1. **OSTRZEŻENIE!** Nigdy nie pozostawiaj dziecka bez opieki!
2. **OSTRZEŻENIE!** Zawsze stosuj system ograniczający!
3. **OSTRZEŻENIE!** Zagrożenie upadkiem: Nie dopuść, aby dziecko wspinało się na produkt!
4. **OSTRZEŻENIE!** Nie używaj produktu, jeżeli wszystkie elementy nie są prawidłowo zamontowane i wyregulowane!
5. **OSTRZEŻENIE!** Miej świadomość ryzyka przewrócenia, jeżeli dziecko potrafi odepchnąć się stopami od stołu lub jakiegokolwiek innej konstrukcji!
6. **OSTRZEŻENIE!** Miej świadomość ryzyka przewrócenia, jeżeli dziecko potrafi odepchnąć się stopami od stołu lub jakiegokolwiek innej konstrukcji.itp.!
7. **OSTRZEŻENIE!** Nie używaj ten produkt jeśli posiadka jakiś uszkodzony, zniszczony lub brakujący element!
8. **OSTRZEŻENIE!** HUŚTAWKA JEST PRZEZNACZONA DLA DZIECI OD 0-6 MIESIĘCY I MAKSYMALNA WAGA 9KG.
9. **OSTRZEŻENIE!** Zawsze należy stosować systemy zabezpieczająco-podtrzymujące!
10. **OSTRZEŻENIE!** Nie używać produktu jako huśtawka kiedy dziecko zacznie stać bez pomocy lub waży więcej niż 9 kg!
11. **OSTRZEŻENIE!** Ten produkt jako krzeselko do karmienia jest przeznaczony tylko dla dzieci, które mogą siedzieć bez pomocy i są w wieku do 3 lat lub maksymalna waga 15 kg!
12. **OSTRZEŻENIE!** Nie używaj krzeselka do karmienia dopóki twoje dziecko nie zacznie siedzieć samodzielnie!
13. **OSTRZEŻENIE!** Regularnie sprawdzaj przyciski i pasy bezpieczeństwa dla bezpieczeństwa!
14. **OSTRZEŻENIE!** Zawsze używaj krzeselka na gładkich i równych nawierzchniach!
15. **OSTRZEŻENIE!** Trzymaj krzeselko z dala od dziecka, jeśli go nie używasz!
16. **OSTRZEŻENIE!** Produkt nie może być używane jako zabawka!
17. **OSTRZEŻENIE!** UPEWNIJ SIĘ, ŻE PASY BEZPIECZEŃSTWA SĄ PRAWIDŁOWO DOPASOWANE!
18. **OSTRZEŻENIE!** Nigdy nie korzystać z produktu na podniesionej ponad ziemię powierzchnią (np. Stół lub w pobliżu schodów)
19. **OSTRZEŻENIE!** Podłączenie z zabawkami jest dodatkiem! Należy przechowywać niezamontowane podłączenie z zabawkami z dala od dostępu dzieci! Nigdy nie korzystać z pręcika z zabawkami jako z uchwytu do noszenia na produkcie!
20. **OSTRZEŻENIE!** Nie pozwalać dziecku, żeby się bawiło produktem!
21. **OSTRZEŻENIE!** Tylko do użytku domowego!
22. **OSTRZEŻENIE!** Ten produkt nie jest przeznaczony do długotrwałego snu!
23. **OSTRZEŻENIE!** Nie przenosić i nie podnosić produkt dopóki dziecko jest w nim!
24. **OSTRZEŻENIE!** Regularnie sprawdzać rozluźnione części ! Regularnie przeglądać, utrzymywać i czyścić!
25. **OSTRZEŻENIE!** Nie korzystać z pręcika na zabawki, kiedy produkt jest wykorzystywany jako krzeselko do karmienia!
26. **OSTRZEŻENIE!** Zdjęcia na stronie tytułowej i wewnątrz instrukcji są przykładowe i mogą różnić się od rzeczywistego produktu.



OSTRZEŻENIE: To opakowanie zawiera małe cząstki w niezłożonym stanie!

- Stawiać krzeselko na poziomych i równych powierzchniach.

- Przy uregulowaniu położenia oparcia należy się upewnić, że mechanizm jest dobrze zapięty w wybranej pozycji.

- Korzystać z wyprostowanej pozycji tylko kiedy dziecko wystarczająco dobrze rozwinęło kontrolę nad górną częścią ciała, żeby mogło pozostać w pozycji siedzącej bez pochylenia się do przodu.
- Nie pozostawiać krzeselka w pobliżu pracującego wentylatora, urządzeń do ocieplania, przedmiotów ostrych, naczyń z wodą.
- Zawsze korzystać z układu z pasów.
- To krzeselko nie zastępuje łóżeczka lub kojca. Jeśli dziecko powinno spać trzeba go ułożyć do odpowiedniego łóżeczka lub kojca.
- Nie korzystać z akcesoriów lub części zamiennych, które się różnią od zaakceptowanych przez producenta.
- Składanie powinno być dokonywane przez osobę dorosłą.
- Poszczególne charakterystyki i akcesoria do produktu mogą się różnić od tych na zdjęciu.

EN 14988:2017+A1:2020, EN 16232:2013+A1:2018 , EN 62115 EN 71



Zdjęcie 1

CZĘŚCI

- | | |
|--|---|
| 1. Poziome podstawy – 2 szt. lewa i prawa | 6. Mechanizm do ustawienia siedzenia – 1 szt. |
| 2. Rura przedniej nogi – 1 szt. | 7. Podstawka na nogi – 1 szt. |
| 3. Rura tylnej nogi – 1 szt. | 8. Tacka na jedzenie – 1 szt. |
| 4. Rury do zawieszenia siedzenia – 2 szt. lewa i prawa | 9. Pręcik z zabawkami – 1 szt. |
| 5. Siedzenie - 1szt. | 10. Adapter – 1 szt. |

SKŁADANIE

OSTRZEŻENIE : Musi być składana przez osobę dorosłą!

1. Wsunąć rurę przedniej nogi do odpowiedniego otworu A-A pionowej podstawy dopóki nie będzie słychać zatrask. Zdjęcie 2
2. Wsunąć rurę tylnej nogi do odpowiedniego otworu B-B pionowej podstawy dopóki nie będzie słychać zatrask. Zdjęcie 3
3. Wsunąć lewą i prawą rurę do zawieszenia siedzenia do otworów C-C z dwóch stron siedzenia, jak jest pokazane na zdjęciu 4 .
4. Postawić mechanizm do ustawienia siedzenia pod siedzeniem i połączyć otwory D-D z dolną częścią rur siedzenia. Zdjęcie 5
5. Zawiesić siedzenie do podstawy krzesła jak jest pokazane na zdjęciu 6.
6. Dla usunięcia rur z podstawy należy wcisnąć twarde przedmiotem o średnicy około 4 mm przycisk do zwolnienia . Zdjęcie 7
7. Zainstaluj plastikową część pod tacką (Zdjęcie 8) Postawić tackę na jedzenie jak jest pokazane na zdjęciu 9. Uwaga: Zawsze korzystać z krzeselka do jedzenia z tacką do jedzenia.
8. Postawić pręcik z zabawkami jak jest pokazane na zdjęciu 10. Uwaga: Zawsze korzystać z krzeselka z pręcikiem na zabawki.
9. Postawić podstawkę na nogi na podstawie i później przycisnąć nadół. Zdjęcie 11 . Podstawka na nogi może być postawiona w jednym z trzech otworów do regulacji.

KORZYSTANIE

1. Opis paneli kontrolnej. Zdjęcie 12
 - 1.1. Włączyć (wyłączyć) urządzenie z przycisku(1).
 - 1.2. **Huśtawka**. Jest 5 stopni regulacji prędkości huśtawki za pomocą przycisków (3) i (4) .Nad przyciskami znajduje się indykacja świetlna(2) wybranej prędkości
 - 1.3. **Czasomierz** - 3 stopnie 8;15 i 30 minut. Wcisnąć przycisk (5) raz i zapali się pierwsza indykacja (7) na 8 minut. Przy powtórnym naciśnięciu zapali się indykacja na 15 minut i po trzecim indykacja na 30 minut. Przy osiągnięciu wybranego czasu, wszystkie funkcję przestaną. Jeśli nie jest wybrana funkcja czasomierz, wszystkie wybrane funkcje będą działać dopóki nie zostanie zatrzymane zasilanie przyciskiem (1).
 - 1.4. **Przycisk muzyczny (6)**. Nacisnąć przycisk, żeby włączyć muzykę. Nacisnąć przycisk drugi, trzeci i czwarty raz – dźwięk będzie głośniejszy. Nacisnąć jeszcze raz, żeby zastopować muzykę. Przy następnym naciśnięciu zagra inna melodia.

2. Adapter (1) Zdjęcie 13 – Połączyć łączę adaptera (2) z łączem urządzenia (3) . Włączyć adapter (1) do kontaktu sieci zasilania.

OSTRZEŻENIE !!! Ze względu na Państwa bezpieczeństwo, prosimy korzystać z oryginalnego adaptera zasilającego. Napięcie wejściowe AC 100 - 240 V 50/60Hz 0.2A Max / Napięcie wyjściowe: DC 5,8 V - 800 mA . Producent nie ponosi odpowiedzialności za wszystkie wady, spowodowane przez korzystanie z innych niż przewidziany przez producenta adapterów zasilających.

Nie korzystaj z zepsutego adaptera zasilającego. Nie dotykać wtyczki adaptera zasilającego przewodami, na przykład pierścieniami. Nie pozwalaj dziecku, żeby się bawiło adapterem lub bateriami! Chronić adapter przed dostępem dziecka, kiedy jest podłączony do sieci i jest pod napięciem!

Transformatory, używane do huśtawki dziecięcej muszą być sprawdzane regularnie co się tyczy uszkodzeń kabla, włącznika, korpusu i innych części, i w wypadku takich uszkodzeń nie wolno z nich korzystać! Huśtawka dla niemowląt powinna być używana tylko z zalecanym transformatorem.

3. Baterie. Przy korzystaniu z zasilania na baterie, wyłącz adapter z sieci zasilania i wyjąć łączę z łączu zasilającego produktu. Połączyć łączę zasilającą produktu do wydziału na baterie - Zdjęcie 14.

OSTRZEŻENIE ! W przeciwnym wypadku produkt nie może być używany z zasilaniem na baterie!

Ten produkt używa 4 szt. baterie typu AA - LR6 1,5 V.

Odkręć śrubę i otworzyć pokrywę pudełka na baterie. Zdjęcie 15.

Baterie powinny być postawione zgodnie z podaną polaryzacją "+ " i" - " !

INSTALACJA BATERII

Odkręć śrubokrętem wkręt klapki komory baterii. Wymij klapkę.

Włóż 4 baterię alkaliczną AA 1,5V - LR6 do gniazdka.

OSTRZEŻENIE: Zalecane jest użycie baterii alkalicznej, ze względu na dłuższe działanie.

Umieść ponownie klapkę baterii i dokręć wkręt.



Chroń środowisko naturalne, nie wyrzucając tego produktu z odpadami domowymi (2012/19/EC).

Informacja bezpiecznego używania baterii

OSTRZEŻENIE! Z różnych przyczyn z baterii może wypłynąć ciecz, która może spowodować chemiczne przepalenie lub zepsucie produktu. Aby temu zapobiec: -Nie mieszaj nowych i starych baterii, jak i różnych rodzajów: alkalicznych, standardowych (cynkowo-węglowych) czy akumulatorów (niklowo-kadmowych); -Umieść baterie w odpowiednim miejscu, tak jak pokazano; -Jeśli nie używasz długo produktu, wymij baterie. Zawsze wymij zużyte baterie. Wyrzuć je w bezpieczny sposób. Nigdy nie wyrzucaj baterii do ognia. Mogą spowodować wybuch albo wypłynię niebezpieczna ciecz.

-Nie rób zwarcia w bateriach; -Używaj tylko jednakowych baterii tego samego typu, według zaleceń.

-Nie ładuj baterii, które nie są do tego przeznaczone; -Zanim zaczniesz ładować baterie, wymij je z produktu; -Jeśli używasz akumulatorów, ładowanie musi przebiegać pod kontrolą osoby dorosłej.

4. Regulacja oparcia. Kiedy siedzenie jest w pozycji najbardziej nadole i jest przypięte do podstawy, oparcie może być regulowane tylko w 2 pozycjach. Zdjęcie 16 . Po ustawieniu wysokości siedzenia na drugiej lub wyższej pozycji wtedy oparcie może być regulowane we wszystkie pozycje do pozycji leżącej. Zdjęcie 17. **OSTRZEŻENIE : Przy wykonaniu ustawień siedzenia należy wyjąć dziecko z krzeselka!**

Podnoszenie oparcia: Od pozycji 1 do pozycji 3 oparcie może być podniesione poprzez podniesienie ręki. Zdjęcie 18 **OSTRZEŻENIE: Aby podnieść oparcie od 3 do 4 pozycji należy wciśnąć przycisk do regulacji na odwrócenie oparcia.** Zdjęcie 19 **OSTRZEŻENIE : Uszkodzenia mechanizmu do regulacji oparcia poprzez nieprawidłowe użycie nie są pokrywane przez gwarancję produktu!**

5. Regulacja wysokości siedzenia. 6 stopni regulacji wysokości. Zdjęcie 20 Nacisnąć jednocześnie przyciski z dwóch stron siedzenia i uregulować. Trzymać siedzenie poziomo , tak, aby przy zwolnieniu było słychać zatrzaśk i siedzenie zostało ustawione z dwóch stron. Zdjęcie 21 **OSTRZEŻENIE:**

Przyciski do regulacji powinny wrócić same do swoich pozycji po tym jak siedzenie zostało ustawione. Prosimy przed użyciem sprawdzić czy siedzenie jest dobrze ustawione z dwóch stron! Jeśli nie jest należy uregulować ponownie!

6. Uregulować tackę na jedzenie, jak jest pokazane na zdjęciu 22. Górna tacka może być zdemonstrowana dla dla oczyszczenia podstawy. Zdjęcie 23

7. Regulować postawę na nogi w 4 pozycjach, poprzez jednoczesne wciśnięcie przycisków z dwóch stron. Zdjęcie 24

8. **Huśtawka- Uwaga!** Krzeselko staje się huśtawką tylko kiedy siedzenie znajduje się w pozycji na samym dole! Nacisnąć przycisk pod siedzeniem (Zdjęcie 25), żeby uwolnić huśtawkę.

OSTRZEŻENIE : W pozycji huśtawka wysokość siedzenia nie może być regulowana!

Elektryczna opcja do bujania się musi być wyłączona kiedy huśtawka jest ustawiona w jednym miejscu gdyż to może okazać wpływ na żywotność motoru! Prosimy sprawdzać czy huśtawka jest uwolniona przed włączeniem motoru!

W pozycji huśtawki oparcie może być uregulowane tylko w dwóch pozycjach! Zdjęcie 26

KORZYSTANIE Z PASÓW

Uwaga : Zawsze korzystać z układu zabezpieczającego! Zdjęcie 27 Wsadzić dziecko do siedzenia. Postawić podkładkę na kolana między nogami dziecka. Zapiąć pasy na lędźwiach z każdej strony podkładki. Zapiąć każdy pas w ten sposób, żeby przylegał ściśle do dziecka. Upewnić się ,że słychać dźwięk zatrzasku. Sprawdzić czy pas jest dobrze zapięty poprzez pociągnięcie.

Regulacja długości pasa: Uregulować paski na brzusek poprzez wciśnięcie przycisku i przesunięcie klamry (Zdjęcie 28) jak również paski naramienne poprzez przesunięcie klamry (Zdjęcie 29).

9. Kiedy postawka na nogi jest ustawiona na samym dole można uwolnić ją z tapicerki i naciągnąć. Zdjęcie 30-1;2 . Przy postawieniu postawki na samej górze należy zwinąć tapicerkę. Zdjęcie 30-3;4.

10. **Składanie krzeselka** – Stanąc za krzeselkiem. Stanąc na tylnej rurze. Pochylić krzeselko lekko do tyłu. Jednocześnie nacisnąć zwalniające przyciski z dwóch stron nóżek. Zdjęcie 31. Zwinąć przednią rurę do tylnej.

Wykonać procedurę w porządku odwrotnym dla rozkładania. Zdjęcie 32

Usunięcie tapicerki:

1. Usunąć wszystkie pasy jak jest pokazane na Rys. 33
2. Usunąć tapicerkę siedzenia i oparcia, jak jest pokazane na Rys.33

CZYSZCZENIE I UTRZYMANIE

1. Prać tapicerkę chłodną wodą i delikatnym mydłem. Suszyć ją naturalnie na powietrzu. Nie wybielać . Trudno usuwalne plamy można usunąć nie-gruboziarnistym kremem do czyszczenia.
2. Rama, podstawka na zabawki i same zabawki mogą być czyszczone mokrą ścierką i słabym roztworem do czyszczenia. Nie korzystać z mocnych i grubo ziarnistych preparatów. Płukać czystą wodą , żeby usunąć resztki preparatów. Nie wkładać ramę lub zabawki do wody.

PRZECHOWYWANIE

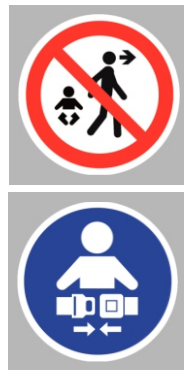
1. Wyjmij baterie i przechowuj je z dala od dzieci.

IMPORTANT! À LIRE ATTENTIVEMENT ET À CONSERVER POUR RÉFÉRENCE ULTÉRIEURE.

FR

EXIGENCES DE SÉCURITÉ

- 1. AVERTISSEMENT!** Ne jamais laisser un enfant sans surveillance!
 - 2. AVERTISSEMENT!** Toujours utiliser le harnais!
 - 3. AVERTISSEMENT!** Risque de chute: empêcher l'enfant de grimper sur le produit!
 - 4. AVERTISSEMENT!** Ne pas utiliser le produit tant que tous les éléments ne sont pas correctement ajustés et réglés!
 - 5. AVERTISSEMENT!** Ne pas placer le produit à proximité d'une cheminée ou de toute source de chaleur importante pour éviter les risques de brûlure!
 - 6. AVERTISSEMENT!** Risque de basculement si l'enfant a la possibilité d'appuyer ses pieds contre une table ou tout autre élément !
 - 7. AVERTISSEMENT!** Ne pas utiliser la ce produit si certains de ses composants sont cassés, déchirés ou manquants!
 - 8. AVERTISSEMENT! LE BERCEAU EST ADAPTE AUX ENFANTS DE 0 A 6 MOIS ET UN POIDS MAXIMAL DE 9 KG.**
 - 9. AVERTISSEMENT!** Pour éviter les blessures, s'assurer que les enfants ne sont pas à proximité lors du pliage et du dépliage du produit !
 - 10. AVERTISSEMENT!** Ne pas utiliser le produit comme une balançoire lorsque l'enfant commence à se tenir seul ou pèse plus de 9 kg!
 - 11. AVERTISSEMENT!** Ce produit en tant que chaise haute pour bébé est conçu pour les enfants qui peuvent s'asseoir sans aide et qui sont jusqu'à 3 ans ou avec un poids maximum de 15 kg!
 - 12. AVERTISSEMENT!** Ne pas utiliser la chaise haute jusqu'à ce que l'enfant commence à s'asseoir tout seul!
 - 13. AVERTISSEMENT!** Vérifiez périodiquement les ceintures de sécurité et les boutons !
 - 14. AVERTISSEMENT!** Utilisez toujours la chaise haute sur des surfaces plates !
 - 15. AVERTISSEMENT!** Lorsque vous n'utilisez pas la chaise haute, stockez-la toujours en dehors de la portée des enfants !
 - 16. AVERTISSEMENT!** Le produit ne doit pas être utilisée comme jouet !
 - 17. AVERTISSEMENT!** Assurez-vous que toutes les ceintures sont correctement montées.
 - 18. AVERTISSEMENT!** N'utilisez jamais le produit sur une surface surélevée au-dessus du sol (par exemple une table ou près d'un escalier)
 - 19. AVERTISSEMENT!** La barre avec les jouets est un article supplémentaire! Gardez la barre avec les jouets démontée hors la portée des enfants! Ne jamais utiliser la barre pour transporter la produit!
 - 20. AVERTISSEMENT!** Ne permettez pas à l'enfant de jouer avec le produit!
 - 21. AVERTISSEMENT!** Pour usage domestique seulement
 - 22. AVERTISSEMENT!** Ce produit n'est pas conçu pour un sommeil prolongé!
 - 23. AVERTISSEMENT!** Ne portez pas ou ne soulevez pas le produit pendant que le bébé est dedans!
 - 24. AVERTISSEMENT!** Vérifiez périodiquement si des pièces ne sont pas dévissées ! Examiner régulièrement, entretenez et nettoyez !
 - 25. AVERTISSEMENT!** N'utilisez pas la barre à jouets lorsque vous commencez à utiliser le produit comme chaise-haute!
 - 26. AVERTISSEMENT!** Les images sur la page principale et dans les instructions sont illustratives et peuvent différer du produit réel.
- AVERTISSEMENT:** Cet emballage contient de petites pièces non montées!



- Placez le siège sur une surface plane et horizontale.
- Lors du réglage de la position du dossier, assurez-vous que le mécanisme est bien verrouillé dans la position choisie.
- Utilisez la position verticale uniquement lorsque l'enfant peut contrôler les mouvements du haut du corps, pour être en mesure de rester assis sans se pencher en avant.
- Ne pas laisser la chaise haute à côté d'un ventilateur en marche, des sources de chaleur, des objets tranchants ou des récipients d'eau.
- Utilisez toujours le système avec les sangles !
- Cette chaise haute ne remplace pas le berceau ou lit. Dans le cas où votre enfant a besoin de dormir, il doit être placé dans son berceau ou un lit approprié.
- Ne pas utiliser des accessoires ou des pièces de rechange autres que celles approuvées par le fabricant.
- Il est nécessaire d'effectuer l'assemblage par un adulte.
- Les caractéristiques et les accessoires sur le produit peuvent différer des images.

EN 14988:2017:A1:2020 , EN 16232:2013+A1:2018 , EN 62115 EN 71



Photo 1

COMPOSANTS

- | | |
|---|--|
| 1. Bases verticales – 2 pcs gauche et droite | 6. Mécanisme de fixation du siège - 1 pcs. |
| 2. Tuyau pour le pied avant – 1 pcs. | 7. Repose-pied – 1 pcs. |
| 3. Tuyau pour le pied arrière – 1 pcs. | 8. Plateau nourriture – 1 pcs. |
| 4. Tuyaux de suspension du siège – 2 pcs.
Gauche et droite | 9. Barre à jouets - 1 pcs. |
| 5. Siège – 1 pcs. | 10. Adaptateur – 1 pcs. |

ASSEMBLAGE

AVERTISSEMENT! Le produit doit être assemblé par un adulte!

1. Insérez le tuyau du pied avant dans l'ouverture A-A de la base verticale pour entendre un clic. Photo 2
2. Insérez le tuyau du pied arrière dans l'ouverture B-B de la base vertical pour entendre un clic. Photo 3
3. Insérez les tuyaux gauche et droit pour suspendre le siège dans les ouvertures C-C, des deux côtés de la base du siège, comme indiqué sur la photo 4.
4. Mettez le mécanisme de fixation du siège en dessous du siège et fixez les ouvertures D-D avec la partie inférieure des tuyaux du siège. Photo 5
5. Montez le siège sur la base de la chaise, comme indiqué sur la photo 6.
6. Pour enlever les tuyaux de la base, appuyez avec un objet dur d'un diamètre 4 mm sur le bouton de déverrouillage. Photo 7
7. Installez la partie en plastique sous le plateau (Photo 8) Positionnez le plateau de nourriture comme indiqué sur la photo 9. N.B.: Toujours utiliser la chaise haute avec le plateau de nourriture.
8. Placez la barre à jouets comme indiqué sur la photo 10. N.B.: Toujours utiliser la balançoire avec la barre à jouets.
9. Placez le repose-pied sur le fond et pressez. Photo 11. Le repose-pied peut être mis dans une des trois ouvertures de réglage.

UTILISATION

1. Description du panneau de contrôle. Photo 12
- 1.1. Connectez (déconnectez) le dispositif par le bouton (1).
- 1.2. **Balançoire.** Il a 5 niveaux de réglage de la vitesse de la balançoire à travers les boutons (3) et (4). Au-dessus des boutons se trouve l'indication lumineuse (2) pour la vitesse choisie.
- 1.3. **Minuteur** - 3 niveaux à 8, 15 et 30 minutes. Pressez le bouton (5) une fois et la première indication s'allumera (7) pour 8 minutes. A la deuxième pression du bouton s'allumera l'indication pour 15 minutes et à la troisième pour 30 minutes. A la fin du temps choisi, toutes les fonctions s'arrêteront. Si la fonction minuteur n'est pas choisie, toutes les fonctions choisies vont marcher jusqu'à la coupure de l'alimentation par le bouton (1).

1.4. Bouton musical (6). Pressez le bouton pour démarrer la musique. Pressez une deuxième, troisième, quatrième fois – le son augmentera. Pressez encore une fois pour arrêter la musique. A la prochaine pression, la musique changera.

2. Adaptateur (1) Photo 13 – Connectez la prise de l'adaptateur (2) à la prise d'alimentation du dispositif (3). Mettez en route l'adaptateur (1) par le contact du réseau d'alimentation.

AVERTISSEMENT! Pour votre sécurité, merci d'utiliser l'adaptateur d'alimentation d'origine.

Tension d'entrée: AC 100 - 240 V 50/60Hz 0.2A Max / Tension de sortie: DC 5,8 V - 800 mA .

Le fabricant décline toute responsabilité pour pertes, dues à l'utilisation d'autres dispositifs, différents de celui, prévu par le fabricant. Ne pas utiliser un adaptateur endommagé. Ne pas approcher de la prise électrique des fils conducteurs, tels des bagues. Ne laissez pas votre enfant jouer avec l'adaptateur ou les piles! Gardez l'adaptateur hors la portée de l'enfant quand l'adaptateur est connecté au réseau électrique ou est sous tension! Les transformateurs utilisés pour la balançoire bébé doivent être inspectés périodiquement pour déceler des dommages au câble, à la prise, à la coque et à d'autres pièces et, dans le cas de tels dommages, ils ne doivent pas être utilisés! La balançoire pour bébé ne doit être utilisée qu'avec le transformateur recommandé.

3. Piles. Lors d'une utilisation avec les piles, débranchez l'adaptateur de la prise de courant électrique. Branchez la prise d'alimentation du produit sur le compartiment des piles - Photo 14.

AVERTISSEMENT ! Sinon, le produit ne peut pas être utilisé avec les piles! Ce produit utilise 4 piles du type AA - LR6 1,5 V. Dévissez le boulon et ouvrez le couvercle du compartiment avec les piles. Photo 15. Les piles doivent être mises dans les sens indiqués "+" et "-" !

MISE DES BATTERIES

Par un tournevis lâchez le vis du petit couvercle de la séparation pour batteries et enlevez le petit couvercle.

Mettez 4 batterie alcaline AA - LR6 1.5 V dans le nid.

Recommandation : Nous vous recommandons d'utiliser batterie alcaline pour une durée plus longue.

- Remettez en place le couvercle de la batterie et serrez les vis avec un tournevis. Ne serrez pas trop.

- Si le produit commence à un dysfonctionnement, il peut être nécessaire de réinitialiser l'électronique. Retirez les piles et les insérer à nouveau.

- Lorsque le son commence à affaiblir ou d'arrêter, il est temps de changer la batterie par un adulte!



Gardez l'environnement et ne pas jeter le présent produit ensemble avec des déchets ménagers (2012/19/EC). Consultez les recommandations aux autorités locales concernant le recyclage (seulement pour l'Europe).

Informations concernant la sécurité de la batterie

ATTENTION! Dans des cas à part il se peut que des liquides coulent des batteries et causent une brûlure chimique ou endommagent le produit. Pour éviter un écoulement des batteries :-Ne pas mélanger les batteries nouvelles et les vieilles batteries ou celles de différents types : alcaline, standard (carbone-zinc) ou celles qui se chargent (nickel-cadmium). Mettez les batteries à leur place comme ceci est indiqué. Sortez les batteries si vous n'utilisez pas le produit pour une longue période. Sortez toujours les batteries usées du produit. Jetez-les avec sécurité. Ne pas jeter le produit dans le feu. Les batteries peuvent exploser ou couler. Ne pas provoquer de court-circuit dans les batteries. Utilisez uniquement des batteries semblables ou celles du même type selon les recommandations.

4. Réglage du dossier. Quand le dossier est dans sa position inférieure et est verrouillé à la base, le dossier peut être réglé uniquement en 2 positions. Photo 16. Quand vous réglez la hauteur du siège à la deuxième position ou à une position supérieure, le dossier peut être réglé dans toutes les positions jusqu'à la position allongée. Photo 17. **AVERTISSEMENT! Quand vous réglez le dossier, l'enfant ne doit pas être assis dedans !**

Relever le dossier: De la position 1 à la position 3, le dossier ne peut être soulevé qu'en le soulevant à la main. Photo 18 **AVERTISSEMENT:** Pour relever le dossier de la 3ème à la 4ème position, appuyez sur le bouton de réglage du dossier. Photo 19 **AVERTISSEMENT :** Les fractures du mécanisme de réglage du dossier dues à une mauvaise utilisation ne sont pas couvertes par la garantie du produit!

5. Réglage de la hauteur du siège. 6 niveaux de réglage de la hauteur. Photo 20. Pressez simultanément les boutons des deux côtés du siège et réglez. Tenez le siège en position horizontale pour qu'en lâchant les boutons vous attendiez un clic et le siège se fixe uniformément des deux côtés. Photo 21. **AVERTISSEMENT! Les boutons de réglage doivent reprendre leur place quand le siège est fixé. Avant utilisation, merci de vérifier si le siège est bien fixé des deux côtés ! Sinon, réglez de nouveau !**

6. Réglage du plateau de nourriture comme indiqué sur la photo 22. Le plateau supérieur peut être démonté pour nettoyer la base. Photo 23

7. Régler le repose-pied en 4 positions, en appuyant simultanément sur les boutons des deux côtés. Photo 24

8. Balançoire – AVERTISSEMENT! Le chaise haute peut être transformée en balançoire uniquement quand le siège est dans sa position inférieure ! **Pressez le bouton sous le siège (photo 25) pour libérer la balançoire. AVERTISSEMENT! En position balançoire, la hauteur du siège ne peut pas être réglée ! L'option électrique ne peut être déconnectée que quand la balançoire est en arrêt, puisque cela peut endommager le moteur ! Merci de vérifier si la balançoire est libérée avant de mettre en route le moteur !**

En position balançoire, le dossier peut être réglé uniquement en deux positions! Photo 26

UTILISATION DES CEINTURES DE SECURITE

AVERTISSEMENT!Toujours utiliser le système de sécurité! Photo 27. Placez votre enfant dans le siège. Placez la ceinture entre les jambes de l'enfant. Fixez la ceinture de chaque côté du plateau. Fixez chaque ceinture afin qu'elle colle parfaitement à votre enfant. Assurez-vous que vous entendiez le son du clic. Assurez-vous que la ceinture de sécurité est bien fixée, en la tirant. **Réglage de la longueur de la ceinture de sécurité :** Réglez les sangles abdominales en pressant sur le bouton et glissant la boucle (Photo 28) et les sangles aux épaules en glissant la boucle (Photo 29).

9. Quand le repose-pied est placé dans sa position inférieure, vous pouvez enlever la tapisserie avec la bande velcro. Photo 30-1,2. En plaçant le repose-pied dans sa position supérieure, vous pouvez plier la tapisserie. Photo 30-3,4.

10. Pliage de la chaise haute – Mettez-vous derrière la chaise haute. Mettez votre pied sur le tuyau derrière. Pressez simultanément sur les boutons des deux côtés des pieds. Photo 31. Pliez le tuyau avant vers le tuyau arrière.

Faites la même procédure dans le sens inverse pour déplier. Photo 32

Enlèvement de la housse

1. Retirez toutes les sangles, comme indiqué sur la Fig. 33
2. Retirez la housse du siège et du dossier, comme indiqué dans Fig.33

SOINS ET NETTOYAGE

1. Laver le revêtement du siège à l'eau tiède et à savon doux. Sécher à l'air. Ne pas utiliser de l'eau de javel. Les taches tenaces peuvent être enlevées avec une crème de nettoyage non abrasive.

2. Le cadre, la barre avec les jouets et les jouets peuvent être nettoyés avec un chiffon humide et une solution de détergent doux. Ne pas utiliser des solutions fortes et abrasives. Rincer à l'eau propre pour éliminer les résidus des solutions. Ne pas plonger le cadre ou les jouets dans l'eau.

ESPACE DE RANGEMENT

1. Retirez les piles et rangez-les hors de portée des enfants.

IMPORTANTE! LEGGERE ATTENTAMENTE E CONSERVARE PER FUTURO RIFERIMENTO!

IT

ESIGENZE DI SICUREZZA

- 1. ATTENZIONE!** Non lasciare mai il bambino incustodito!
- 2. ATTENZIONE!** Utilizzare sempre il sistema di ritenuta!
- 3. ATTENZIONE!** Pericolo di caduta : non lasciare che il bambino si arrampichi sul prodotto!
- 4. ATTENZIONE!** Non utilizzare il prodotto a meno che tutti i componenti non siano correttamente agganciati e regolati!
- 5. ATTENZIONE!** Prestare attenzione al rischio generato da fiamme libere e altre fonti di forte calore nelle vicinanze del prodotto !
- 6. ATTENZIONE!** Prestare attenzione al rischio di ribaltamento del prodotto nel caso in cui il bambino si spinga con i piedi contro il tavolo o qualsiasi altra struttura!
- 7. ATTENZIONE!** Non usate quel prodotto se una delle sue parti è rotta, lacerata o se manca !
- 8. ATTENZIONE!** L'ALTALENA È ADATTA PER I BAMBINI DA 0 A 6 MESI E UN PESO MASSIMO DI 9KG.
- 9. ATTENZIONE!** Per evitare lesioni assicurarsi che i bambini siano lontani durante le operazioni di apertura e chiusura del prodotto!
- 10. ATTENZIONE!** Non utilizzare il prodotto come altalena quando il bambino inizia a stare in piedi da solo o pesa più di 9 kg!
- 11. ATTENZIONE!** Questo prodotto come un seggiolone è progettato per i bambini che possono sedersi senza aiuto, che sono fino a 3 anni o hanno un peso massimo di 15 kg!
- 12. ATTENZIONE!** Non usate l'alta sedia prima che il bambino non cominci a stare seduto senza l'aiuto di terzi!
- 13. ATTENZIONE!** Controllate periodicamente le cinture di sicurezza ed i bottoni !
- 14. ATTENZIONE!** Usate l'alta sedia sempre su superfici piane!
- 15. ATTENZIONE!** Quando l'alta sedia non viene usata, custoditela fuori della portata dei bambini!
- 16. ATTENZIONE!** Il prodotto non deve essere usato come un giocattolo!
- 17. ATTENZIONE!** ASSICURATEVI CHE TUTTE LE CINTURE SONO MONTATE NEL MODO CORRETTO!
- 18. ATTENZIONE!** Non utilizzare il prodotto su una superficie elevata dal suolo (ad esempio un tavolo o vicino a una scala)
- 19. ATTENZIONE!** La sbarra con i giocattoli è un articolo supplementare! Conservate la sbarra con i giocattoli smontata fuori la portata dei bambini! Non utilizzare mai la sbarra per trasportare del prodotto!
- 20. ATTENZIONE!** Non permettere ai bambini di giocare con il prodotto!
- 21. ATTENZIONE!** Solo per uso domestico !
- 22. ATTENZIONE!** Questo prodotto non è concepito per un sonno prolungato!
- 23. ATTENZIONE!** Non sollevare o non indossare il prodotto, mentre il bambino è dentro!
- 24. ATTENZIONE!** Verificare periodicamente per parti avvitate ! Esaminate regolarmente, intrattenete e pulite !
- 25. ATTENZIONE!** Non utilizzare la barra giocattolo quando si inizia ad utilizzare il prodotto come seggiolone!
- 26. ATTENZIONE!** Le immagini riportate sulla copertina e all'interno delle istruzioni sono inserite a scopo illustrativo e possono differire dal prodotto reale.



AVVERTIMENTO: Quest'imballaggio contiene piccole parti non montate!

- Mettete la sede su una superficie piana ed orizzontale.

- Durante il regolamento della posizione dello schienale, assicuratevi che il meccanismo è bene chiuso nella posizione scelta.

- Utilizzate la posizione verticale soltanto quando il bambino può controllare i movimenti della cima del suo corpo, ed è in grado di restare seduto senza tendersi davanti.

- Non lasciare la alta sedia accanto ad un ventilatore in marcia, fonti di calore, oggetti affilati o recipienti d'acqua. - Utilizzare sempre il sistema con le cinghie fino a che il bambino non apprenda entrare ed uscire dal prodotto senza aiuto.

- Questa sedia non sostituisce la culla od il letto. Qualora il vostro bambino abbia bisogno di dormire, deve essere messo nella sua culla o un letto adeguato.

- Non utilizzare accessori o parti di ricambio altri che quelli approvati dal fabbricante.

- È necessario effettuare l'assemblaggio da un adulto.

- Utilizzare 4 pile alcaline AA 1.5 V (non inclusi) per una migliore prestazione.

- Le caratteristiche e gli accessori sul prodotto possono differire dalle immagini.

EN 14988:2017:A1:2020 , EN 16232:2013+A1:2018 , EN 62115 EN 71



Fotografia 1

COMPONENTI

- | | |
|--|---|
| 1. Basi verticali - 2 pezzi destra e sinistra | 6. Meccanismo di montaggio del sedile - 1 pz. |
| 2. Tubo piede anteriore - 1 pz. | 7. Poggiapiedi - 1 pz. |
| 3. Tubo piede posteriore - 1 pz. | 8. Vassoio cibo - 1 pz. |
| 4. Tubi sospensione del sedile - 2 pezzi destra e sinistra | 9. Barra giocattoli - 1 pz. |
| 5. Sedile - 1 pz. | 10. Adattatore - 1 pz. |

ASSEMBLAGGIO

ATTENZIONE: Il prodotto deve essere montato da un adulto!

1. Inserire il tubo del piede anteriore nell'apertura A-A della base verticale fino a sentire uno clic. Foto 2

2. Inserire la punta del piede posteriore nell'apertura della base verticale B-B fino a sentire uno clic.

Foto 3

3. Inserire i tubi destro e sinistro per la sospensione del sedile nelle aperture C-CI su entrambi i lati della base del sedile, come mostrato in figura 4.

4. Mettere il meccanismo di montaggio del sedile sotto il sedile e collegare le aperture D-D con la parte inferiore del tubo di sospensione del sedile. Foto 5

5. Montare la sedia alla base del seggiolino, come mostrato in figura 6.

6. Per rimuovere i tubi di base, premere con un oggetto duro da un diametro di 4 mm il pulsante di rilascio. Foto 7

7. Installare la parte in plastica sotto il vassoio (figura 8) Posizionare il vassoio di cibo, come mostrato in figura 9. Nota: Utilizzare sempre il seggiolone con vassoio di cibo.

8. Posizionare la barra giocattoli come mostrato in figura 10. Nota: Utilizzare sempre l'altalena con la barra giocattoli.

9. Posizionare i poggiapiedi sulla parte inferiore e premere. Immagine 11. Il poggiapiedi può essere messo in una delle tre aperture di regolazione.

UTILIZZO

1. Descrizione del pannello di controllo. Foto 12

1.1. Collegare (scollare) il dispositivo dal controllore (1).

1.2. **Altalena** . Ha 5 livelli di regolazione della velocità di rotazione tramite i tasti (3) e (4). Sopra i pulsanti è il display luminoso (2) per la velocità selezionata.

1.3. **Timer** - 3 livelli in 8, 15 e 30 minuti. Premere il pulsante (5) una volta e sarà accesa la prima luce di indicazione (7) per 8 minuti. Una seconda pressione del tasto, l'indicazione per 15 minuti ed una terza volta per 30 minuti. Al termine del tempo selezionato, tutte le funzioni si arrestano. Se il timer non è selezionato, tutte le funzioni selezionate funzioneranno fino alla mancanza di corrente dal controllore (1).

1.4. **Tasto Musica (6)**. Premere il pulsante per avviare la musica. Premere una seconda, terza, quarta volta - il suono aumenterà. Premere di nuovo per fermare la musica. Con la pressione successiva la musica cambierà.

2. Un adattatore (1) Foto 13 - Collegare la spina adattatore (2) al dispositivo di presa (3). Accendere l'adattatore (1) dal contatto della tensione di alimentazione.

ATTENZIONE!!! Per la vostra sicurezza, grazie di utilizzare l'adattamento d'alimentazione d'origine.

Tensione di ingresso : AC 100 - 240 V 50/60Hz 0.2A Max / Tensione di uscita: DC 5,8V - 800 mA . (Il fabbricante declina qualsiasi responsabilità per perdite, dovute all'utilizzo di altri dispositivi, diversi di quello, previsto dal fabbricante.) - Non utilizzare un adattamento danneggiato.

- Non avvicinare alla presa elettrica dei fili conduttori, tali anelli.

- Non lasciare il bambino giocare con l'adattatore o le batterie! Tenere l'adattatore fuori dalla portata del bambino quando l'adattatore è collegato alla rete elettrica o è sotto tensione!

I trasformatori utilizzati in altalena devono essere ispezionati periodicamente per danneggiamento del cavo, della presa elettrica, dello scafo e delle altre parti e, nel caso di tale danno, essi non devono essere utilizzati! L'oscillazione del bambino deve essere utilizzata solo con il trasformatore consigliato.

3. Le batterie. Quando il prodotto è utilizzato con batterie, scollegare l'adattatore dalla presa elettrica. Inserire la spina di alimentazione del prodotto sulla batteria - Foto 14. **ATTENZIONE!** In caso contrario, il prodotto non può essere utilizzato con le batterie!. Questo prodotto utilizza 4 batterie di tipo AA - LR6 1.5V

Allentare il bullone e aprire il coperchio del vano con le batterie. Foto 15.

Le batterie devono essere nelle direzioni indicate '+' e '-'!

INSTALLAZIONE DELLE PILE

Con il cacciavite, allentate la vite del coperchio del reparto pile e togliete il coperchio.

Mettete nel nido 4 pile alcaline AA - LR6 1.5 V .

Consiglio: Raccomandiamo l'uso di pile alcaline per la vita più lunga.

Rimettete il coperchio del reparto pile e serrate la vite.

Se il prodotto inizia a malfunzionamenti, può essere necessario resettare l'elettronica. Rimuovere le batterie e quindi inserire di nuovo.

- Quando il suono comincia a indebolirsi o interrompere, è il momento di cambiare la batteria da un adulto!



Preservate l'ambiente non buttando via questo prodotto insieme a dei rifiuti domestici (2012/19/EC).

Informazione che tratta la sicurezza della pila

ATTENZIONE! In casi specifici, dalle pile possono uscire dei liquidi che provochino delle ustioni chimiche o che danneggino il prodotto. Per evitare l'uscita di liquidi: - Non mescolate delle pile nuove con delle pile vecchie o tali di tipi diversi: alcaline, standard carbonio-zinco) o ricaricabili (nichel - cadmio). - Mettete le pile nel loro posto, come evidenziato. - Se non usate il prodotto per periodi lunghi-tirate fuori le pile. Sempre tirate fuori dal prodotto le pile scadute. Buttatele via in modo sicuro.

- Non gettate il prodotto nel fuoco.

- Le pile possono esplodere o lasciar uscire liquidi.

- Non causate il corto circuito nelle pile.

- Usate solo delle pile uguali o tali dallo stesso tipo, secondo le raccomandazioni.

- Non caricate delle pile che non si ricaricano.

- Prima di ricaricare le pile, tiratele fuori dal prodotto.

- Se usate delle pile ricaricabili, la ricarica si deve effettuare sotto il controllo degli adulti.

4. Regolazione del schienale. Quando lo schienale è nella sua posizione più bassa ed è bloccato alla base, lo schienale può essere regolato in solo due posizioni. Foto 16.

Quando si regola l'altezza del sedile alla seconda posizione o alla posizione più elevata, lo schienale può essere regolato in qualsiasi posizione alla posizione reclinata. Foto 17.

Attenzione: Per regolare lo schienale, il bambino non deve essere seduto in esso!

Solleverlo lo schienale: Posizione 1 alla posizione 3, lo schienale può essere sollevato solo a mano. Foto 18 **ATTENZIONE:** Per sollevare lo schienale nelle posizioni 3 e 4, premere il pulsante di regolazione dello schienale. Foto 19 **ATTENZIONE:** Le fratture del meccanismo di regolazione dello schienale a causa di uso improprio non sono coperti dalla garanzia del prodotto!

5. Regolare l'altezza del sedile. 6 livelli di regolazione dell'altezza. Immagine 20. Premere contemporaneamente i pulsanti su entrambi i lati del sedile e regolare. Tenere il sedile in posizione orizzontale per rilasciare i pulsanti fino a sentire uno clic ed il sedile è fissato in modo uniforme su entrambi i lati. Foto 21. **Attenzione: I tasti devono avvenire quando il sedile è fisso. Prima dell'uso, grazie di verificare se il sedile è ben fissato su entrambi i lati! In caso contrario, regolare nuovo!**

6. Regolare il vassoio cibo come illustrato in figura 22. La piastra superiore può essere rimossa per pulire la base. Foto 23

7. Regolare il poggiatesta in 4 posizioni, premendo i pulsanti su entrambi i lati. Foto 24

8. Altalena - Attenzione! Il seggiolone può essere convertito in altalena soltanto quando il sedile è nella sua posizione inferiore! Premere il pulsante sotto il sedile (foto 25) per il rilascio dell'altalena. **Attenzione: In posizione di altalena, l'altezza del sedile non può essere regolata! L'opzione elettrica non può essere disconnessa quando l'altalena è spenta, in quanto ciò può danneggiare il motore! Grazie di verificare se l'altalena è rilasciata prima di avviare il motore!**

In posizione di altalena, lo schienale può essere regolato in soli due posizioni! Foto 26

UTILIZZO DELLE CINTURE DI SICUREZZA

ATTENZIONE: Sempre utilizzare il sistema di sicurezza! Fotografia 27. Mettete il vostro bambino nella sede. Mettete la cinghia tra le gambe del bambino. Fissate la cinghia di ogni lato del piatto. Fissate ogni cinghia affinché attacchi perfettamente al vostro bambino. Assicuratevi che intendevate il suono del clic. Assicuratevi che la cintura di sicurezza è bene fissata, tirandola.

Messa a punto della lunghezza della cintura di sicurezza:

Assicuratevi che la cintura di sicurezza è bene fissata, tirandola. Regolare la cinghia addominale premendo il pulsante e scivolando la fibbia (Foto 28) e le cinghie per le spalle scivolando la fibbia (Foto 29).

9. Quando il poggiatesta è messo nella posizione più bassa, è possibile rimuovere la tappezzeria con il velcro. Foto 30-1,2. Inserendo il poggiatesta nella sua posizione superiore, si può piegare la tappezzeria. Foto 30-3,4.

10. Piegare il seggiolone - stare dietro il seggiolone. Mettere il piede sul tubo dietro e premere contemporaneamente i tasti su entrambi i lati dei piedi. Foto 31. Piegare il tubo anteriore verso il tubo posteriore.

Fare lo stesso procedimento in senso inverso per spiegare. Foto 32

Ritiro della copertura

1. Ritirate tutte le cinghie, così indicato su Fig. 33

2. Ritirate la copertura del seggiolino e dello schienale, così indicato su Fig.33

CURE E PULIZIA

1. Lavare il rivestimento della sede all'acqua tiepida ed a sapone dolce. Asciugare all'aria. Non utilizzare la candeggina. Le macchie possono essere tolte con una crema di pulizia non abrasiva.

2. Il quadro, la sbarra con i giocattoli ed i giocattoli possono essere puliti con uno straccio umido ed una soluzione di detersivo dolce. Non utilizzare soluzioni forti ed abrasive. Risciacquare all'acqua propria per eliminare i residui delle soluzioni. Non immergere il quadro o i giocattoli nell'acqua.

CONSERVAZIONE

1. Rimuovere le batterie e conservare lontano dalla portata dei bambini.

ΣΗΜΑΝΤΙΚΟ! ΔΙΑΒΑΤΕ ΠΡΟΣΕΚΤΙΚΑ ΤΙΣ ΟΔΗΓΙΕΣ ΚΑΙ ΦΥΛΑΞΤΕ ΤΕΣ ΓΙΑΤΙ ΜΠΟΡΕΙ ΝΑ ΤΙΣ ΧΡΕΙΑΣΤΕΙΤΕ ΣΤΟ ΜΕΛΛΟΝ!

GR

Σημείωση

- 1.ΠΡΟΕΙΔΟΠΟΪΗΣΗ!** Ποτέ μην αφήνετε το παιδί χωρίς επίβλεψη!
 - 2.ΠΡΟΕΙΔΟΠΟΪΗΣΗ!** Να χρησιμοποιείτε πάντα το σύστημα συγκράτησης!
 - 3.ΠΡΟΕΙΔΟΠΟΪΗΣΗ!** Κίνδυνος πτώσης: Αποτρέψτε το παιδί σας από το να σκαρφαλώνει πάνω στο προϊόν!
 - 4.ΠΡΟΕΙΔΟΠΟΪΗΣΗ!** Μη χρησιμοποιείτε το προϊόν αν όλα τα εξαρτήματα δεν είναι σωστά τοποθετημένα και ρυθμισμένα!
 - 5.ΠΡΟΕΙΔΟΠΟΪΗΣΗ!** Να έχετε επίγνωση για τυχόν κίνδυνο γυμνής φωτιάς και άλλες πηγές ισχυρής θερμότητας στην περιοχή του προϊόντος!
 - 6.ΠΡΟΕΙΔΟΠΟΪΗΣΗ!** Να έχετε επίγνωση για τον κίνδυνο ανατροπής όταν το παιδί σας μπορεί να πιέσει τα πόδια του σε ένα τραπέζι ή οποιαδήποτε άλλη δομή!
 - 7.ΠΡΟΕΙΔΟΠΟΪΗΣΗ!** Μην χρησιμοποιείτε αυτό το προϊόν σε περίπτωση σπασίματος, σκισίματος ή έλλειψης εξαρτήματος!
 - 8. ΠΡΟΕΙΔΟΠΟΪΗΣΗ!** Η ΚΟΥΝΙΑ ΕΙΝΑΙ ΚΑΤΑΛΛΗΛΗ ΓΙΑ ΠΑΙΔΙΑ ΑΠΟ 0-6 ΜΗΝΩΝ ΚΑΙ ΜΕΓΙΣΤΟ ΒΑΡΟΣ 9 ΚΙΛΑ.
 - 9.ΠΡΟΕΙΔΟΠΟΪΗΣΗ!** Για να αποφύγετε τραυματισμούς, να βεβαιώνετε ότι τα παιδιά βρίσκονται μακριά κατά το άνοιγμα ή το κλείσιμο του προϊόντος !
 - 10. ΠΡΟΕΙΔΟΠΟΙΗΣΗ!** Μην χρησιμοποιείτε το προϊόν ως κούνια όταν το παιδί αρχίσει να κάθεται χωρίς ξένη βοήθεια ή έχει βάρος μεγαλύτερο από 9 κιλά.
 - 11. Προειδοποίηση!** Αυτό το προϊόν ως καρεκλάκι για τάισμα προορίζεται για παιδιά, τα οποία μπορούν να κάθονται χωρίς ξένη βοήθεια και έχουν ηλικία έως 3 έτη ή έχουν μέγιστο βάρος 15 κιλά.
 - 12.ΠΡΟΕΙΔΟΠΟΪΗΣΗ!** Μην χρησιμοποιείτε την καρέκλα μέχρι το παιδί σας να μπορεί να καθίσει χωρίς βοήθεια!
 - 13.ΠΡΟΕΙΔΟΠΟΪΗΣΗ!** Ελέγχετε περιοδικά τα κουμπιά και το σύστημα ασφαλείας !
 - 14.ΠΡΟΕΙΔΟΠΟΪΗΣΗ!** Χρησιμοποιείτε πάντα την καρέκλα σε επίπεδη επιφάνεια!
 - 15.ΠΡΟΕΙΔΟΠΟΪΗΣΗ!** Κρατήστε το προϊόν μακριά από τα παιδιά όταν δεν το χρησιμοποιείτε!
 - 16.ΠΡΟΕΙΔΟΠΟΪΗΣΗ!** Το προϊόν αυτό δεν πρέπει να χρησιμοποιείται ως παιχνίδι!
 - 17.ΠΡΟΕΙΔΟΠΟΪΗΣΗ!** ΕΛΕΓΞΤΕ ΑΝ ΟΛΟΙ ΟΙ ΖΩΝΕΣ ΤΟΠΟΘΕΤΟΥΝΤΑΙ ΣΩΣΤΑ!
 - 18. ΠΡΟΕΙΔΟΠΟΙΗΣΗ!** Ποτέ μη χρησιμοποιείτε το προϊόν πάνω σε επιφάνεια, η οποία υψώνεται πάνω από το έδαφος (π.χ. τραπέζι ή κοντά σε σκαλοπάτια).
 - 19. ΠΡΟΕΙΔΟΠΟΪΗΣΗ!** Το εξάρτημα με παιχνίδια είναι συμπληρωματικό είδος. Φυλάξτε το ασυναρμολόγητο εξάρτημα παιχνιδιών μακριά από την πρόσβαση παιδιών. Ποτέ μην χρησιμοποιείτε το εξάρτημα παιχνιδιών για να μεταφέρετε την προϊόντος.
 - 20. ΠΡΟΕΙΔΟΠΟΪΗΣΗ!** Μην αφήνετε το παιδί σας να παίζει με το προϊόν!
 - 21. ΠΡΟΕΙΔΟΠΟΪΗΣΗ!** Μόνο για οικιακή χρήση
 - 22. ΠΡΟΕΙΔΟΠΟΪΗΣΗ!** Αυτό το προϊόν δεν προορίζεται για διαρκή ύπνο.
 - 23. ΠΡΟΕΙΔΟΠΟΙΗΣΗ!** Μη μεταφέρετε ή σηκώνετε το προϊόν όσο το μωρό είναι εντός αυτού.
 - 24. ΠΡΟΕΙΔΟΠΟΙΗΣΗ!** Ελέγχετε περιοδικά για χαλαρά τμήματα ! Τακτικά να επανεξετάζεται, να εκτελείτε συντήρηση και καθαρισμός !
 - 25. ΠΡΟΕΙΔΟΠΟΙΗΣΗ!** Μη χρησιμοποιείτε την μπάρα παιχνιδιών, όταν αρχίσετε να χρησιμοποιείτε το προϊόν ως καρεκλάκι για τάισμα.
 - 26. ΠΡΟΕΙΔΟΠΟΪΗΣΗ!** Οι εικόνες στην αρχική σελίδα και στο εσωτερικό των οδηγιών είναι ενδεικτικές και είναι πιθανόν να διαφέρουν από το πραγματικό προϊόν.
- ΠΡΟΕΙΔΟΠΟΙΗΣΗ:** Αυτή η συσκευασία περιέχει μικρά ασυναρμολόγητα εξαρτήματα.
- Πάντα πρέπει να τοποθετείτε την καρέκλα πάνω σε οριζόντιες και ίσιες επιφάνειες.



- Με την ρύθμιση της θέσης της πλάτης, πρέπει να βεβαιωθείτε, ότι ο μηχανισμός ασφαλίστηκε καλά στην επιθυμητή θέση.

- Χρησιμοποιήστε την όρθια θέση, μόνο όταν το παιδί έχει αναπτύξει σε αρκετό βαθμό τον έλεγχο του άνω μέρους του σώματός του, για να μπορέσει να μείνει σε καθιστή θέση χωρίς να σκύβει μπροστά.

- Μην αφήνετε την ξαπλώστρα δίπλα σε ανεμιστήρα σε λειτουργία, συσκευές θέρμανσης, αιχμηρά αντικείμενα, δοχεία με νερό.

- Πάντα πρέπει να χρησιμοποιείτε το σύστημα ζωνών.

- Ατή η ξαπλώστρα δεν αντικαθιστά λίκνο ή κρεβάτι. Σε περίπτωση που το παιδί σας πρέπει να κοιμηθεί, τότε πρέπει να βάλετε το παιδί σε κατάλληλο λίκνο ή κρεβάτι.

- Μην χρησιμοποιείτε εξαρτήματα ή ανταλλακτικά, τα οποία διαφέρουν από τα εξαρτήματα και τα ανταλλακτικά, τα οποία εγκρίθηκαν από τον κατασκευαστή.

- Είναι απαραίτητο η συναρμολόγηση να πραγματοποιηθεί από ενήλικο άτομο.

- Τα χαρακτηριστικά και τα εξαρτήματα του προϊόντος είναι πιθανό να διαφέρουν από τις φωτογραφίες.

πρότυπο αναφοράς: **EN 14988:2017:A1:2020** , **EN 16232:2013+A1:2018** , **EN 62115** **EN 71**

Φωτογραφία 1

ΜΕΡΗ



- Κατακόρυφες βάσεις – 2 τεμάχια. Αριστερό και Δεξί
- Σωλήνας στο μπροστινό πόδι – 1 τεμάχιο
- Σωλήνας στο πίσω πόδι - 1 τεμάχιο
- Σωλήνες για ανάρτηση του καθίσματος - 2 τεμάχια. Αριστερό και Δεξί
- Κάθισμα - 1 τεμάχιο
- Μηχανισμός για τη στερέωση του καθίσματος - 1 τεμάχιο
- Υποπόδιο - 1 τεμάχιο
- Δίσκος για φαγητό - 1 τεμάχιο
- Μπάρα με παιχνίδια - 1 τεμάχιο
- Προσαρμογέας - 1 τεμάχιο

ΣΥΝΑΡΜΟΛΟΓΗΣΗ

ΣΗΜΑΝΤΙΚΟ: Πρέπει να συναρμολογηθεί από ενήλικα !

- Τοποθετήστε τον σωλήνα του μπροστινού ποδιού στην αντίστοιχη τρύπα A-A της κάθετης βάσης μέχρι να ακούσετε ένα κλικ. Εικόνα 2
- Τοποθετήστε τον σωλήνα του πίσω ποδιού στην αντίστοιχη τρύπα B-B της κάθετης βάσης, μέχρι να ακούσετε ένα κλικ. Εικόνα 3
- Τοποθετήστε τον αριστερό και τον δεξί σωλήνα για την ανάρτηση του καθίσματος στις τρύπες C-C στις δύο πλευρές της βάσης του καθίσματος όπως φαίνεται στην εικόνα 4.
- Τοποθετήστε τον μηχανισμό για την ανάρτηση του καθίσματος κάτω από το κάθισμα και συνδέστε τις σπές D-D με το κάτω μέρος των σωληνών ανάρτησης του καθίσματος. Εικόνα 5
- Κρεμάστε το κάθισμα στη βάση της καρέκλας, όπως φαίνεται στην εικόνα 6.
- Για να αφαιρέσετε τους σωλήνες από τη βάση, πιέστε με σκληρό αντικείμενο με διάμετρο περίπου 4 χιλιοστών το κουμπί απελευθέρωσης. Εικόνα 7
- Τοποθετήστε το πλαστικό μέρος κάτω από το δίσκο (εικόνα 8).Τοποθετήστε τον δίσκο φαγητού, όπως φαίνεται στη εικόνα 9. **Σημείωση:** Πάντα να χρησιμοποιείτε την καρέκλα φαγητού μαζί με τον δίσκο φαγητού
- Τοποθετήστε την μπάρα με τα παιχνίδια όπως φαίνεται στην εικόνα 10. **Σημείωση:** Πάντα να χρησιμοποιείτε την κούνια με την μπάρα για τα παιχνίδια.
- Τοποθετήστε το υποπόδιο στην βάση και στη συνέχεια, πιέστε προς τα κάτω. Εικόνα 11. Το υποπόδιο μπορεί να τοποθετηθεί σε μία από τις τρεις σπές για την ρύθμιση.

ΧΡΗΣΗ

1. Περιγραφή του Πίνακα Ελέγχου Εικόνα 12

1.1. Ενεργοποιήστε (Απενεργοποιήστε) τη συσκευή πατώντας το κουμπί (1).

1.2. **Κούνια** . Υπάρχουν 5 επίπεδα για την ρύθμιση της ταχύτητας της κούνιας από τα κουμπιά (3) και (4). Πάνω από τα κουμπιά είναι τοποθετημένη η οπτική ένδειξη (2) για την επιλεγμένη ταχύτητα.

1.3. **Χρονόμετρο** - 3 ταχύτητες 8, 15 και 30 λεπτά. Πατήστε το κουμπί (5) μία φορά και θα ανάψει η πρώτη ένδειξη (7) για 8 λεπτά. Στο δεύτερο πάτημα θα ανάψει η ένδειξη για 15 λεπτά και στο τρίτο η ένδειξη για 30 λεπτά. Μετά την επίτευξη του επιλεγμένου χρόνου, όλες οι λειτουργίες θα σταματήσουν. Αν δεν έχει επιλεγεί η λειτουργία χρονόμετρο, όλες οι επιλεγμένες λειτουργίες θα λειτουργήσουν μέχρι να σταματήσει η τροφοδοσία από το κουμπί (1).

1.4. **Πλήκτρο μουσικής** (6). Πατήστε το κουμπί για να παίξει η μουσική. Πατήστε το κουμπί δεύτερη, τρίτη και τέταρτη φορά - ο ήχος θα δυναμώσει. Πατήστε ξανά για να σταματήσει η μουσική. Στο επόμενο πάτημα θα αρχίσει άλλη μελωδία.

2. Προσαρμογέας (1) Εικόνα 13 - Συνδέστε το βύσμα του προσαρμογέα με το τροφοδοτικό βύσμα της συσκευής (3). Βάλτε τον προσαρμογέα (1) στην πρίζα του ηλεκτρικού δικτύου.

ΠΡΟΣΟΧΗ!!! Για την δική σας ασφάλεια παρακαλούμε χρησιμοποιήστε τον γνήσιο προσαρμογέα τροφοδότησης. Τάση εισόδου : AC 100 - 240 V 50/60Hz 0.2A Max / Τάση εξόδου: DC 5,8 V - 800 mA. (Ο κατασκευαστής δεν φέρει την ευθύνη για οποιοσδήποτε ζημιές, που έχουν προκληθεί λόγω χρήσης διαφορετικού προσαρμογέα που δεν προβλέπεται από τον κατασκευαστή.)

Μην χρησιμοποιείτε προσαρμογέα τροφοδότησης με βλάβες. Μην επιτρέψετε την επαφή με τον ρευματολήπτη του προσαρμογέα τροφοδότησης, όταν φοράτε αγωγούς όπως δαχτυλίδια.

Μην αφήνετε το παιδί σας να παίζει με τον προσαρμογέα ή τις μπαταρίες! Κρατήστε τον προσαρμογέα μακριά από τα παιδιά όταν είναι στην πρίζα και είναι υπό τάση!

Οι μετασχηματιστές, οι οποίοι χρησιμοποιούνται για την κούνια μωρού, πρέπει να ελέγχονται κατά περιόδους για βλάβες των καλωδίων, του ρευματολήπτη, του περιβλήματος ή άλλων εξαρτημάτων και σε περίπτωση ύπαρξης τέτοιων βλαβών οι μετασχηματιστές δεν πρέπει να χρησιμοποιούνται.

Η παιδική ταλάντευση πρέπει να χρησιμοποιείται μόνο με τον συνιστώμενο μετασχηματιστή.

3. Μπαταρίες. Σε περίπτωση που χρησιμοποιείτε τροφοδότηση με μπαταρίες, βγάλτε τον προσαρμογέα από το δίκτυο τροφοδότησης και βγάλτε τον ρευματολήπτη από την υποδοχή τροφοδότησης του προϊόντος. Συνδέστε την υποδοχή τροφοδότησης του προϊόντος με την θήκη μπαταριών – φωτογραφία 14. **ΠΡΟΕΙΔΟΠΟΙΗΣΗ!** Στην αντίθετη περίπτωση το προϊόν δεν μπορεί να χρησιμοποιηθεί με τροφοδότηση από τις μπαταρίες. Αυτό το προϊόν χρησιμοποιεί 4 τεμ. μπαταρίες AA - LR6 1.5 V. Χαλαρώστε τη βίδα και ανοίξτε το καπάκι της θήκης της μπαταρίας Εικόνα 15.

Οι μπαταρίες θα πρέπει να τοποθετούνται σύμφωνα με την αναγραφόμενη πολικότητα “+” και “-”!

ΤΟΠΟΘΕΤΗΣΗ ΤΩΝ ΜΠΑΤΑΡΙΩΝ

Χαλαρώστε τη βίδα στο κάλυμμα της θήκης της μπαταρίας με ένα κατσαβίδι και αφαιρέστε το κάλυμμα. Τοποθετήστε 4 αλκαλικές μπαταρίες AA - LR6 1.5 V στη φωλιά.

Συμβουλή: Σας συνιστούμε να χρησιμοποιείτε αλκαλικές μπαταρίες για μεγαλύτερη διάρκεια ζωής. Επανατοποθετήστε το κάλυμμα της μπαταρίας και σφίξτε τις βίδες.



Προστατέψτε το περιβάλλον, καθώς μην απορρίχνεται το προϊόν αυτό με τα οικιακά απορρίμματα (2012/19/EC). Ελέγξτε τις συστάσεις προς τις τοπικές αρχές σχετικά με την ανακύκλωση (Μόνο για την Ευρώπη).

Πληροφορίες για την ασφάλεια της μπαταρίας

ΠΡΟΕΙΔΟΠΟΙΗΣΗ! Σε ορισμένες περιπτώσεις, από τις μπαταρίες μπορεί να ρέει υγρά που προκαλούν χημικά εγκαύματα ή να καταστρέφει το προϊόν. Για να αποφύγετε τη διαρροή: - Μην αναμιγνύετε παλιές και νέες μπαταρίες ή μπαταρίες διαφορετικών τύπων: αλκαλικές, πρότυπο (άνθρακα - ψευδάργυρου) ή επαναφορτιζόμενες (νικελίου - καδμίου). - Τοποθετήστε τις μπαταρίες στη θέση του, όπως αναφέρεται; - Αφαιρέστε τις μπαταρίες σε περίπτωση μη χρήσης του προϊόντος για μεγάλο χρονικό διάστημα. Πάντα να αφαιρείτε τις παλιές μπαταρίες από το προϊόν. Απορρίψτε τους ασφαλώς. Μην πετάτε το προϊόν σε φωτιά. Οι μπαταρίες μπορεί να εκραγούν ή εισρεύσουν. - Μην βραχυκυκλώνετε τις μπαταρίες; - Να χρησιμοποιείτε μόνο όμοιες μπαταρίες ή μπαταρίες του ίδιου τύπου όπως συνιστάται.

4. Ρυθμηση της πλάτης του καθίσματος. Όταν το κάθισμα είναι στη χαμηλότερη θέση και είναι κλειδωμένο στη βάση, η πλάτη του καθίσματος μπορεί να ρυθμιστεί σε δύο μόνο θέσεις. Εικόνα 16. Όταν ρυθμίσετε το ύψος του καθίσματος στη δεύτερη ή υψηλότερη θέση, τότε η πλάτη του καθίσματος μπορεί να ρυθμιστεί σε όλες τις θέσεις μέχρι ύπτια θέση. Εικόνα 17 **Προσοχή: Την ώρα που ρυθμίζετε το κάθισμα, βγάλτε το παιδί από την καρέκλα!**

Σήκωμα της πλάτης: Από την θέση 1 έως την θέση 3 η πλάτη μπορεί να σηκωθεί μόνο με το χέρι. Φωτογραφία 18. **Προειδοποίηση:** Για να σηκώσετε την πλάτη από την θέση 3 έως την θέση 4, πατήστε το κουμπί ρύθμισης της πλάτης του καθίσματος. Φωτογραφία 19 **Προειδοποίηση: Η εγγύηση δεν καλύπτει περιπτώσεις στις οποίες ο μηχανισμός ρύθμισης καταστραφεί λόγω λανθασμένης χρήσης.**

5. Ρύθμιση του ύψους του καθίσματος. 6 επίπεδα για την ρύθμιση του ύψους του καθίσματος .

Εικόνα 20. Πατήστε ταυτόχρονα τα κουμπιά και στις δύο πλευρές του καθίσματος και ρυθμίστε.

Κρατήστε το κάθισμα σε οριζόντια θέση, έτσι ώστε όταν αφίσετε τα κουμπιά ενεργοποίησης να ακούσετε ένα «κλικ» και το κάθισμα να καθοριστεί το ίδιο και στις δύο πλευρές. Εικόνα 21 **Προσοχή :** Τα κουμπιά για την ρύθμιση θα πρέπει να επιστρέψουν από μόνο τους όταν το κάθισμα έχει ρυθμιστεί. Παρακαλούμε, πριν από την χρήση ελέγξτε αν το κάθισμα είναι καλά σερεωμένο και από τις δύο πλευρές! Αν δεν είναι καλά στερεωμένο, ρυθμίστε το ξανά!

6. Ρυθμίστε τον δίσκο φαγητού όπως φαίνεται στην εικόνα 22. Ο επάνω δίσκος μπορεί να αφαιρεθεί για τον καθαρισμό από την βάση. Εικόνα 23

7. Ρυθμίστε το υποπόδιο σε 4 θέσεις, πατώντας ταυτόχρονα τα κουμπιά και στις δύο πλευρές. Εικόνα 24

8. Κούνια - Προσοχή ! Η καρέκλα μετατρέπεται σε κούνια μόνο όταν το κάθισμα βρίσκεται στη χαμηλότερη θέση ! Πατήστε το κουμπί κάτω από το κάθισμα (Εικόνα 25) για να απελευθερώσετε τη κούνια.

Προσοχή : Σε θέση κούνιας, το ύψος του καθίσματος μπορεί να ρυθμιστεί! Η ηλεκτρική επιλογή για κούνια θα πρέπει να είναι κλεισμένη όταν η κούνια είναι σε σταθερή θέση, δηλαδή αυτό μπορεί να επηρεάσει τη διάρκεια ζωής του κινητήρα! Παρακαλούμε, Μοπα , βεβαιωθείτε αν η κούνια έχει απελευθερωθεί πριν να βάλετε μπρος τον κινητήρα!

Σε θέση κούνιας, η πλάτη του καθίσματος μπορεί να ρυθμιστεί μόνο σε δύο θέσεις! Εικόνα 26

ΧΡΗΣΗ ΤΩΝ ΖΩΝΩΝ

Προσοχή: Πάντα πρέπει να χρησιμοποιείτε το σύστημα ασφαλείας. Φωτογραφία 27. Τοποθετήστε το παιδί σας στο κάθισμα. Τοποθετήστε το υποστρώμα της ζώνης μεταξύ των ποδιών του παιδιού.

Κουμπώστε την ζώνη της μέσης από κάθε μια πλευρά του υποστρώματος. Κουμπώστε την ζώνη έτσι ώστε να εφάπτεται σφιχτά στο παιδί σας. Βεβαιωθείτε ότι ακούσατε τον ήχος κλικ. Ελέγξτε εάν η ζώνη κουμπώθηκε καλά και τραβήξτε.

Ρύθμιση του μήκους της ζώνης: Ρυθμίστε τις κοιλιακές ζώνες πατώντας και σύροντας την πόρπη (Εικόνα 28) και τις ζώνες ώμου με την ολίσθηση της πόρπης (Εικόνα 29).

9. Όταν το υποπόδιο έχει τοποθετηθεί στη χαμηλότερη θέση, μπορείτε να απελευθερώσετε την ταπεσαρία από την ταινία τύπου βέλκρο και να την τεντώσετε. Εικόνα 30-1;2 . Κατά την τοποθέτηση του υποπόδιου στην υψηλότερη θέση, διπλώστε την ταπεσαρία.. Εικόνα 30-3;4.

10. Δίπλωμα της καρέκλας - Σταθείτε πίσω από την καρέκλα. Πατήστε πάνω στον πίσω σωλήνα. Γείρετε την καρέκλα ελαφρώς προς τα πίσω. Πατήστε ταυτόχρονα τα κουμπιά απελευθέρωσης από τις δυο πλευρές των ποδιών. Εικόνα 31. Διπλώστε τον μπροστινό σωλήνα προς τον πίσω. Εκτελέστε τη διαδικασία με την αντίστροφη σειρά για την ξεδίπλωση. Εικόνα 32

Αφαίρεση της ταπεσαρίας

1. Αφαιρέστε όλες τις ζώνες όπως φαίνεται στο Σχ. 33

2. Αφαιρέστε την ταπεσαρία του καθίσματος και την πλάτη του καθίσματος όπως φαίνεται στο Σχ. 33

ΚΑΘΑΡΙΣΜΟΣ ΚΑΙ ΦΡΟΝΤΙΔΕΣ

1. Πλύνετε την επένδυση με χλιαρό νερό και μαλακό σαπούνι. Στεγνώστε με φυσικό τρόπο. Μην λευκαίνετε. Οι επίμονοι λεκέδες αφαιρούνται με κρέμα καθαρισμού χωρίς συστατικά απόξεσης.

2. Το πλαίσιο, η θήκη παιχνιδιών και τα ίδια παιχνίδια μπορείτε να καθαρίσετε με υγρό πανί και ελαφρύ διάλυμα καθαρισμού. Μην χρησιμοποιείτε δυνατά καθαριστικά με συστατικά απόξεσης. Ξεπλύνετε σε καθαρό νερό για να αφαιρεθούν τα υπολείμματα από τα καθαριστικά. Μην βουτάτε το πλαίσιο ή τα παιχνίδια σε νερό.

ΑΠΟΘΗΚΕΥΣΗ

1. Αφαιρέστε τις μπαταρίες και κρατήστε τα παιδιά μακριά.

ВАЖНО! ВНИМАТЕЛНО ПРОЧИТАЈТЕ И ЗАЧУВАЈТЕ ГО ЗА ИДНО РЕФЕРЕНЦИ !

МК

БАРАЊА ЗА БЕЗБЕДНОСТ

- 1. ВНИМАНИЕ!** Никогаш не го оставајте детето без надзор!
 - 2. ВНИМАНИЕ!** Секогаш користете го системот за задржување!
 - 3. ВНИМАНИЕ!** Паѓа опасност: Спречете го вашето дете да се качува на производот!
 - 4. ВНИМАНИЕ!** Не користете го производот освен ако сите компоненти не се правилно вградени и прилагодени!
 - 5. ВНИМАНИЕ!** Бидете свесни за ризикот од отворен оган и други извори на силна топлина во близина на производот!
 - 6. ВНИМАНИЕ!** Бидете свесни за ризикот од навалување кога вашето дете може да ги притисне нозете против маса или друга структура!
 - 7. ВНИМАНИЕ!** Не користете го тој производ ако некој дел е скршен, искинат или недостасува!
 - 8. ВНИМАНИЕ!** ЛУЛКА Е ПОГОДНА ЗА ДЕЦА ОД 0-6 МЕСЕЦИ И МАКСИМАЛНА ТЕЖИНА 9 КГ.
 - 9. ВНИМАНИЕ!** За да избегнете повреда осигурајте се дека децата се држат настрана кога се одвиваат и преклопуваат овој производ!
 - 10. ВНИМАНИЕ!** Не користете го производот како замав кога детето почнува да стои сам или тежи повеќе од 9 кг!
 - 11. ВНИМАНИЕ!** Овој производ како столица за хранење е наменет за деца кои можат да седат без помош и кои се на возраст до 3 години или со максимална тежина од 15 кг!
 - 12. ВНИМАНИЕ!** Не го користете високото столче, додека детето не започне да седат без помош од друг!
 - 13. ВНИМАНИЕ!** Од време на време проверувајте ги заштитните појаси и копчињата!
 - 14. ВНИМАНИЕ!** Секогаш користите го столчето врз рамни површини!
 - 15. ВНИМАНИЕ!** Доколку столчето не е во употреба, истото држете го подалеку од достапност на деца!
 - 16. ВНИМАНИЕ!** Не го користите производот како играчка !
 - 17. ВНИМАНИЕ!** УВЕРЕТЕ СЕ, ДЕКА СИТЕ ПОЈАСИ СЕ МОНТИРАНИ ПРАВИЛНО!
 - 18. ВНИМАНИЕ!** Никогаш не користете го производот на подигната површина над земјата (на пр. Маса или во близина на скалите)
 - 19. ВНИМАНИЕ!** Приклучокот со играчки е дополнителен артикул! Пазете не монтираниот приклучок со играчки вон дофат на деца! Никогаш не користете тастатура со играчки за носење на производот!
 - 20. ВНИМАНИЕ!** Не дозволувајте детето да си игра со производот!
 - 21. ВНИМАНИЕ!** Само за домашна употреба
 - 22. ВНИМАНИЕ!** Овој производ не е наменет за продолжено спиење!
 - 23. ВНИМАНИЕ!** Не носете го или не кревајте го производот додека бебето е во него!
 - 24. ВНИМАНИЕ!** Периодично проверувајте за лабави делови ! Редовно прегледувајте, одржувајте и чистете !
 - 25. ВНИМАНИЕ!** Не користете играчки кога ќе почнете да го користите производот како столица!
 - 26. ВНИМАНИЕ!** Сликите на насловната страница и во упатствата се примери и може да се разликуваат од вистинскиот производ.
- ПРЕДУПРЕДУВАЊЕ:** Оваа пакување содржи мали делови во нескопена состојба!
- Поставете столче на хоризонтални и рамни површини.
- При регулирање положбата на потпирачот, треба да се убедите дека механизмот е добро заклучен во избраната позиција.



- Користете исправена позиција, само кога детето доволно развило контролата на горниот дел на телото, за да може да остане седечка без да се навалите напред.
- Не оставајте столче до вклучен вентилатор, прибор за греење, остри предмети, садови со вода.
- Секогаш користете го системот од појаси .
- Овој столче не заменува трло или кревет. Во случај дека вашето дете треба да спие, тогаш треба да биде ставено во соодветна трло или легло.
- Не користете додатоци или резервни делови, различни од оние кои се одобрени од производителата.
- Неопходно е составувањето да се изврши од возрасен.
- Карактеристиките и додатоците на производот може да се разликуваат од сликите.

EN 14988:2017:A1:2020, EN 16232:2013+A1:2018 , EN 62115 EN 71



Снимка 1

ЧАСТИ

- | | |
|---|---|
| 1. Вертикални основи - 2бр. лева и десно | 6. Механизам за фиксирање на седиштето - 1бр. |
| 2. Цевка на предната нога - 1бр. | 7. Скалила - 1бр. |
| 3. Цевка на задната нога - 1бр. | 8. Послужавник за храна - 1бр. |
| 4. Цевки за суспензија на седиштето - 2бр. лева и десна | 9. Поставка со играчки - 1бр. |
| 5. Седиште - 1бр. | 10. Адаптер - 1бр. |

СГЛОБЈАВАНЕ

ВАЖНО: Треба да биде составено од возрасен!

1. Вметнете цевка на предната нога во соодветниот отвор А-А на вертикалната основа додека не слушнете клик. Слика 2
2. Вметнете цевка на задната нога во соодветниот отвор В-В на вертикалната основа додека не слушнете клик. Слика 3
3. Вметнете левата и десната цевка за суспензија на седиштето во отворите С-С од двете страни на основата на седиштето како што е прикажано на слика 4.
4. Вметнете механизмот за прицврстување на седиштето под седиштето и соединетите отворите D-D со долниот дел на суспензија на цевки на седиштето. Слика 5
5. Закачете седиштето кон основата на столот, како што е прикажано на слика 6.
6. За отстранување на цевките од основата, притиснете со тврд предмет со дијаметар околу 4мм копчето за ослободување. Слика 7
7. Инсталирајте го пластичниот дел под фиоката (Слика 8) Ставете послужавник за храна како што е прикажано на слика 9. Забелешка: Секогаш користете стол за хранење со послужавник за јадење
8. Ставете поставка со играчки како што е прикажано на слика 10. **Забелешка:** Секогаш користете лулка со поставка за играчки.
9. Ставете прагот на основата, а потоа притиснете надолу. Слика 11. Прагот може да биде вметнат во еден од трите отвори за регулирање.

КОРИСТЕЊЕ

1. Опис на контролниот панел Слика 12
 - 1.1. Вклучете (исклучете) уредот од копчето (1).
 - 1.2. **Лулка.** Има 5 степени за регулирање на брзина на лулката преку копчињата (3) и (4). Над копчињата е сместена светлинската индикација (2) за избраната брзина.
 - 1.3. **Тајмер** - 3 степени 8; 15 и 30 минути.

Притиснете го копчето (5) еднаш и ќе светне првиот индикатор (7) за 8 минути. При второто притискање ќе светне индикаторот за 15 минути и при трето, индикаторот ќе светне за 30 минути. По постигнување на избраното време, сите функции ќе престанат. Ако не е избрана функцијата тајмер, сите избрани функции ќе работат додека не биде запрено напојување од копчето (1).
 - 1.4. **Музичко копче (6).** Притиснете го копчето за да ја пуштите музика. Притиснете го копчето втор, трет и четврти пат - звукот ќе се засили. Притиснете уште еднаш за да се запре музиката. При следното притискање ќе се исполни друга мелодија.

2. Адаптер (1) Слика 13 - Поврзете го приклучокот на адаптер (2) со напојната буска на уредот (3). Вклучете адаптерот (1) на штекерот.
ВНИМАНИЕ !!! Со оглед на својата безбедност, ве молиме користете оригиналниот адаптер. Дојдовен напон AC 100 - 240 V 50/60Hz 0.2A Max / Излезни напон: = DC 5,8 V - 800 mA . (Производителот не е одговорен за било каква загуба, нанесени поради употребата на различни од предвидениот од производителот адаптер.) Не употребувајте оштетени адаптер. Не контактираат со приклучокот на кабелот адаптер со проводници, на пример со прстени. Не мешајте стари и нови батерии. ;Не дозволувајте детето да си игра со адаптерот или батериите! Пазете адаптерот од достапот на детето кога е вклучен во мрежата и е под напон! Трансформатори кои се користат за бебешката колевка, треба периодично да бидат проверени за оштетување на кабелот, приклучокот, кукиштето и други делови, и во случај на такви оштетувања, не треба да се користат!

3. Батерии. Кога ја користите батеријата, исклучете го AC адаптерот од електричната мрежа и исклучете го од штекерот за струја на производот. Поврзете го приклучокот за струја на производот во преградата за батерија - сл.14. **ВНИМАНИЕ!** Во спротивно, производот не може да се користи со енергија од батеријата! Овој производ користи 4бр. батерии тип AA - LR6 1,5 V. Одвртете ја завртката и отворете го капакот на преградата за батерии Слика 15. Батериите мораат да бидат ставени во соодветство со наведената поларност " + "и " - " !

ПОСТАВУВАЊЕ И Замена на батерија

Олабавете го шрафот на капакот на преградата за батерии со шрафцигер и извадете го капакот. Вметнете 4 алкални батерии AA - LR6 1,5 V во гнездото.

Совет: Ние препорачуваме да се користи алкална батерија за подолг живот. Вратете го капачето за батеријата и затегнете завртки.



Штитете ја животната средина, како не фрлите овој производ со домашни отпад (2012/19/EC).

Информации за безбедноста на батерија

ВНИМАНИЕ! Во одделни случаи на батериите може да потечат течности кои да предизвикаат хемиски изгореници или да го уништат производот. За да избегнете истекување на батериите: - Не мешајте нови и стари батерии или оние од различни типови: алкални, стандардни (јаглерод - цинк) или стартуваат (никел - кадмиум). - Ставете ги батериите на нивното место, како што е наведено. - Извадете ги батериите во случаи на некористење на производот за долго време. Секогаш вадете од производот слаба батерија. Фрлете ги безбедно. Не фрлајте производот во оган. Батериите може да избувнат или потечат. - Не предизвикувајте краток спој во батеријата. - Користете само исти батерии или оние од еден тип, според препораките. - Не полнете батерии кои не се полнат. - Извадете ги батериите од производот пред да ги полнете. - Ако користите батерии кои можат да се полнат, полнењето да се врши под надзор на возрасен.

4. Местење на потпирачот. Кога седиштето е во најдолната позиција и е заклучена кон основата, потпирачот може да се регулира само во 2 позиции. Слика 16. Кога наместите висината на седиштето на втора или по горна позиција, тогаш потпирачот може да се регулира во сите позиции до лежечка положба. Слика 17 **Внимание: Кога вршите подесување на седиштето, извадете детето од столот!**

Подигање на потпирачот за грб: Од позиција 1 до положба 3, потпирачот за грб може да се подигне само со подигнување со рака. Слика 18 **Внимание:** За да го кренете потпирачот за грб од 3. до 4. позиција, притиснете го копчето за нагудување на потпирачот за грб. Слика 19 **Внимание:** Пречките на механизмот за нагудување на потпирачот поради неправилна употреба не се покриени со гаранцијата на производот!

5. Регулмирање на височината на седиштето. 6 степени на регулирање на височината. Слика 20
Притиснете ги истовремено копчињата од двете страни на седиштето и наместете го. Чувајте седиштето хоризонтално, така што при пуштање на копчињата да се слушне "клик" и се заглави седиштето подеднакво од двете страни. Слика 21 **Внимание: Копчињата за регулирање треба да се вратат сами кога седиштето е фиксирано. Ве молиме пред употреба проверете дали седиштето е добро фиксирано и од двете страни! Ако не е, дотерајте повторно!**

6. Дотерајте послужавник за храна како што е прикажано на слика 22. Горната табла може да биде демонтирана за чистење од основата. Слика 23

7. Дотерајте држачот за ногарки во 4 позиции, како истовремено притиснете копчињата од двете страни. Слика 24

8. Лулка - Внимание! Столот се преобразува во лулка само кога седиштето е во најдолна позиција! Притиснете го копчето под седиштето (Слика 25) за да се ослободи лулка.

Внимание: Во позиција на лулката, височината на седиштето не може да биде регулирана! Електричната опцијата за лелеење, треба да биде исклучена кога лулката биде прицврстена, тоа може да влијае на должината на животот на моторот! Ве молиме проверете дали лулка е ослободена пред ставање на моторот!

Во позиција на лулка, потпирачот може да биде регулиран само во две позиции!
Слика 26

ИЗПОЛЗВАНЕ КОЛАНИТЕ

Внимание: Секогаш користете сигурносниот систем! Слика 27

Вметнете детето на седиштето. Наместете ја влошката на ременот меѓу нозете на детето. Заглавете ременот за крстот на секоја страна на подлогата. Заглавете секој појас така што припиен кон детето ви. Осигурете се дека го слушате звукот од штраќање. Проверете дали ременот е добро врзан влечејќи го.

Регулмирање должината на ременот: Дотерајте стомачните ремени со притискање на копчето и повлечете на токи (Слика 28) и рамените ремени со влечење на токи (Слика 29).

9. Кога прагот е вметната во повеќето долна позиција, можете да ослободите тапацирот од леплива лента и да ја исправите. Слика 30-1; 2. При поставување на прагот во врвот позиција, свиткајте тапацирот. Слика 30-3; 4.

10. Преклопување на столот - Застанете зад столот. Застанете на задната цевка. Навалете столот малку наназад. Истовремено притиснете копчето за ослободување од двете страни на нозете.

Слика 31 Свиткајте предната цевка кон задната.

Сторете постапката по обратен редослед за одвивање. Слика 32

Отстранување на тапацирот

1. Отстранете ги сите ремени како што е прикажано на Сл. 33

2. Отстранете тапацирот на седиштата и наслонот како што е прикажано на Слика 33

ЧИСТЕЊЕ И ГРИЖА

1. Перете тапацирот со млака вода и благ сапун. сушење ја по природен пат. Не отстранувајте боја. Упоритите е дамки можат да се отстранат со не-абразивни средства - крем.

2. Рамката, држачот за играчки и самите играчки може да се чистат со влажна крпа и слаб чистење решение. Не користете силни и абразивни средства. плакнете со чиста вода, за да ја отстраните остатокот од препаратите. Не потопувајте рамката или играчките во вода.

СКЛАДИРАЊЕ

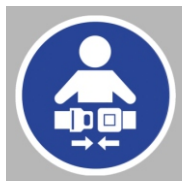
1. Извадете ги батериите и чувајте ги подалеку од деца.

ВАЖНО! ПРОЧИТЕ ВНИМАТЕЛЬНО И СОХРАНИТЕ ДЛЯ СПРАВОК В БУДУЩЕМ!

RU

ТРЕБОВАНИЯ БЕЗОПАСНОСТИ

- 1. ВНИМАНИЕ!** НИКОГДА НЕ ОСТАВЛЯЙТЕ РЕБЕНКА БЕЗ ПРИСМОТРА!
 - 2. ВНИМАНИЕ!** ВСЕГДА ПОЛЬЗУЙТЕСЬ РЕМНЯМИ БЕЗОПАСНОСТИ!
 - 3. ВНИМАНИЕ!** Опасность падения: не позволяйте ребенку лазить по продукту!
 - 4. ВНИМАНИЕ!** Не используйте продукт, если все компоненты правильно установлены и отрегулированы!
 - 5. ВНИМАНИЕ!** Помните о риске открытого огня и других источников сильного тепла в непосредственной близости от продукта!
 - 6. ВНИМАНИЕ!** Помните о риске наклона, когда ваш ребенок может подтолкнуть ноги к столу или любой другой структуре!
 - 7. ВНИМАНИЕ!** Не используйте этот продукт, если какая-либо часть сломана, разорвана или отсутствует!
 - 8. ВНИМАНИЕ!** ЛЮЛЬКА-КАЧАЛКА ПОДХОДИТ ДЛЯ ДЕТЕЙ ОТ 0-6 МЕСЯЦЕВ, МАКСИМАЛЬНЫЙ ВЕС - 9КГ.
 - 9. ВНИМАНИЕ!** Во избежание травм не подпускайте детей при раскладывании и складывании этого продукта!
 - 10. ВНИМАНИЕ!** Не использовать изделие в качестве люльки-качалки, когда ребенок начнет стоять без посторонней помощи, или его вес превысит 9 кг!
 - 11. ВНИМАНИЕ!** Данное изделие в качестве стульчика для кормления предназначено для детей, которые могут сидеть без посторонней помощи, в возрасте до 3 лет, или максимальный вес которых составляет 15 кг!
 - 12. ВНИМАНИЕ!** Не используйте высокий стул, пока ваш ребенок не сядет без посторонней помощи!
 - 13. ВНИМАНИЕ!** Регулярно проверяйте ремни безопасности и кнопки!
 - 14. ВНИМАНИЕ!** Всегда используйте столик на ровных поверхностях!
 - 15. ВНИМАНИЕ!** Сохраняйте стульчик далеко от детей, когда не пользуетесь им!
 - 16. ВНИМАНИЕ!** Продукт нельзя использовать в качестве игрушки!
 - 17. ВНИМАНИЕ!** УБЕДИТЕСЬ, ЧТО ВСЕ РЕМНИ УСТАНОВЛЕНЫ ПРАВИЛЬНО!
 - 18. ВНИМАНИЕ!** Никогда не использовать изделие на поднятой над землей поверхности (например, на столе или вблизи лестниц).
 - 19. ВНИМАНИЕ!** Приставка с игрушками является дополнительным артикулом! Хранить неустановленную приставку с игрушками вдали от детей! Никогда не использовать поручень с игрушками для переноски продукт!
 - 20. ВНИМАНИЕ!** Не позволяйте ребенку играть с изделием!
 - 21. ВНИМАНИЕ!** Только для домашнего использования
 - 22. ВНИМАНИЕ!** Данное изделие не предназначено для длительного сна!
 - 23. ВНИМАНИЕ!** Не переносить или поднимать изделие, пока ребенок находится в нем!
 - 24. ВНИМАНИЕ!** Периодически проверяйте раскрепленные части! Регулярно проводите осмотр, уход и чистку!
 - 25. ВНИМАНИЕ!** Не использовать поручень с игрушками после начала использования изделия в качестве стульчика для кормления!
 - 26. ВНИМАНИЕ!** Изображения на титульной странице и внутри руководства являются ориентировочными и могут отличаться от реального изделия.
- ПРЕДУПРЕЖДЕНИЕ:** В несобранном виде упаковка содержит мелкие детали!
- Устанавливайте кресло на ровных горизонтальных поверхностях.



EAC


- При регулировке положения спинки убедитесь, что механизм хорошо заблокирован в избранном положении.
 - Всегда используйте систему ремней.
 - Стульчик не заменяет манежа или кроватки. Если ребенок должен лечь спать, то положите его в подходящий для этого манеж или кроватку.
 - Не используйте аксессуары или запасные части, различающиеся от утвержденных производителем. - Сборка должна производиться взрослыми.
 - Характеристики и аксессуары изделия могут отличаться от фотографий.
 - Используйте выпрямленное положение только тогда, когда ребенок достаточно развил контроль верхней части своего тела, чтобы оставаться в положении сидя, не наклоняясь вперед. - Не оставляйте стульчик возле работающего вентилятора, приборов отопления, острых предметов, емкостей с водой.
- EN 14988:2017:A1:2020, EN 16232:2013+A1:2018, EN 62115 EN 71** 

Фото 1

КОМПОНЕНТЫ

- | | |
|---|--------------------------------------|
| 1. Вертикальные основания – 2 шт. левое и правое | 6. Механизм фиксации сиденья – 1 шт. |
| 2. Трубка передней ножки – 1 шт. | 7. Подножка – 1 шт. |
| 3. Трубка задней ножки – 1 шт. | 8. Поднос для еды – 1 шт. |
| 4. Трубки для подвешивания сиденья - 2 шт. левая и правая | 9. Поручень с игрушками – 1 шт. |
| 5. Сиденье – 1 шт. | 10. Адаптер – 1 шт. |

СБОРКА

ВАЖНО: Сборка должна производиться взрослым!

1. Вставьте трубку передней ножки в соответствующее отверстие А-А вертикального основания, пока не услышите щелчок. Фото 2
2. Вставьте трубку задней ножки в соответствующее отверстие В-В вертикального основания, пока не услышите щелчок. Фото 3
3. Вставьте левую и правую трубки для подвешивания сиденья в отверстия С-С с двух сторон основания сиденья, как это показано на Фото 4.
4. Установите механизм фиксации сиденья под сиденье и соедините отверстия D-D с нижней частью подвесных трубок сиденья. Фото 5
5. Подвесьте сиденье на основание стульчика, как это показано на Фото 6.
6. Для снятия трубок с основания нажмите на кнопку освобождения при помощи твердого предмета диаметром около 4 мм. Фото 7
7. Установите пластиковую деталь под лоток (фото 8). Установите поднос для еды, как это показано на Фото 9. Примечание: Всегда используйте стульчик для кормления с подносом для еды.
8. Установите поручень с игрушками, как это показано на Фото 10. **Примечание:** Всегда используйте люльку с поручнем для игрушек.
9. Установите подножку на основание и после этого нажмите вниз. Фото 11. Подножку можно установить в одно из трех отверстий для регулировки.

ИСПОЛЬЗОВАНИЕ

1. Описание контрольной панели. Фото 12
 - 1.1. Включите (выключите) устройство при помощи кнопки (1).
 - 1.2. **Качели.** Имеется 5 ступеней регулирования скорости качалки при помощи кнопок (3) и (4). Над кнопками расположен световой индикатор (2) выбранной скорости.
 - 1.3. **Таймер** - 3 степени 8; 15 и 30 минут. Нажмите на кнопку (5) один раз, зажжется первый индикатор (7) 8 минут. При втором нажатии зажжется индикатор 15 минут, при третьем – индикатор 30 минут. При достижении выбранного времени все функции останутся. Если не будет выбрана функция таймера, то все выбранные функции будут работать, пока нажатием кнопки (1) не будет прервано питание.

1.4. Музыкальная кнопка (6). Нажмите кнопку, чтобы запустить музыку. Нажмите кнопку во второй, третий и четвертый раз – звук усилится. Нажмите еще один раз, чтобы остановить музыку. При последующем нажатии будет играть другая мелодия.

2. Адаптер (1) Фото 13 – Соедините муфту адаптера (2) с муфтой питания устройства (3). Подключите адаптер (1) к розетке сети питания.

ВНИМАНИЕ !!! Для Вашей безопасности пользуйтесь оригинальным питающим адаптером. Входное напряжение AC 100 - 240 V 50/60Hz 0.2A Max / Выходное напряжение : DC 5,8 V - 800 mA. (Изготовитель не несет ответственности за какой-либо ущерб, причиненный по причине использования отличных от предусмотренного изготовителем питающего адаптера). Не использовать поврежденный питающий адаптер. Не допускать контакта между штепселем питающего адаптера и проводниками, например, кольцами. Не позволяйте ребенку играть с адаптером или батареями! Помещайте адаптер подальше от ребенка, когда он подключен к сети и находится под напряжением! Трансформаторы, используемые для детской люльки, нужно периодически проверять на наличие поврежденной кабели, штепселя, корпуса и иных частей, и, если таковые имеются, не использовать! Детские качели должны использоваться только с рекомендованным трансформатором.

3. Батареи. Когда в качестве источника питания используются батарейки, нужно отключить адаптер от сети питания и вытащить его муфту из муфты питания изделия. Соединить муфту питания изделия с отсеком для батареек – фото 14. **ВНИМАНИЕ!** В противном случае изделие не может использоваться, питаясь от батареек! Для данного изделия используются 4 батареи типа AA - LR6 1,5 V. Открутите болт и откройте крышку батарейного отсека. Фото 15. Батареи нужно поставить в соответствии с указанной полярностью «+» и «-»!

УСТАНОВКА БАТАРЕЕК

Расслабьте винт крышки отделения для батареек с помощью отвертки и удалите крышку. Поставьте 4 алкалиновую батарейку AA - LR6 1,5 V в гнездо.

Совет: Мы рекомендуем использовать алкалиновую батарейку, чтобы она продержалась как можно дольше.

Поставьте обратно крышку для батареек и натяните винт.



Оберегайте окружающую среду, не выбрасывайте это изделие вместе с отходами хозяйства (2012/19/EC). Проверьте рекомендации для местных властей по утилизации (только для Европы).

Информация о безопасности батареек

ВНИМАНИЕ! В некоторых случаях из батареек могут вытекать жидкости, приведут к химическому ожогу или к разрушению изделия. Чтобы избежать вытекания жидкости из батареек: -Не смешивайте новые и старые батарейки, или батарейки разных типов: алкалиновые, стандартные (углерод-цинк) или заряжающиеся (никель- кадмий). - Установите батарейки в их место, как это указано. -Удаляйте батарейки, если длительное время не используете изделие. Всегда удаляйте из изделия севшие батарейки. Выбрасывайте их безопасно. Не бросайте изделие в огонь. Батарейки могут взорваться или из них может вылиться жидкость. -Не вызывайте короткое соединение в батарейках. - Используйте только одинаковые батарейки или батарейки одного и того же типа, как это указано в рекомендациях. -Не заряжайте батарейки, которые не заряжаются. - Удалите батарейки из изделия перед тем, как их заряжать. -Если используете батарейки, которые можно заряжать, зарядку нужно осуществлять под присмотром взрослого.

4. Регулировка спинки. Когда сиденье находится в самом нижнем положении и прикреплено к основанию, спинку можно регулировать только в 2 позиции. Фото 16 После установки высоты сиденья во второй или более высокой позиции спинку можно регулировать во всех позициях до положения лежа. Фото 17. **Внимание: Во время регулировки сиденья выньте ребенка из стульчика!**

Поднятие спинки: Из положения 1 до положения 3 спинку можно поднять только, поднимая рукой. Фото 18 **Внимание:** Для поднятия спинки из положения 3 до положения 4, нажмите кнопку регулировки спинки. Фото 19 **Внимание:** Гарантия на изделие не распространяется на поломку механизма регулировки спинки в результате неправильного использования!

5. Регулировка сиденья по высоте. 6 ступеней регулировки высоты. Фото 20. Регулируйте, нажав одновременно кнопки с двух сторон сиденья. Удерживайте сиденье в горизонтальном положении так, чтобы при отпускании кнопок раздался щелчок и сиденье зафиксировалось одинаково с двух сторон. Фото 21. **Внимание: Кнопки регулировки должны занять первоначальное положение сами, когда сиденье зафиксировано. Перед использованием проверьте, хорошо ли зафиксировано сиденье с двух сторон! Если нет, то отрегулируйте снова!**

6. Отрегулируйте поднос для еды, как это показано на Фото 22. Верхний поднос можно снять с основания и почистить. Фото 23

7. Отрегулируйте подножку в 4 положениях, одновременно нажимая кнопки с двух сторон. Фото 24

8. **Люлька-качалка. Внимание!** Стульчик преобразуется в люльку-качалку только тогда, когда сиденье находится в самом нижнем положении! Нажмите на кнопку под сиденьем (Фото 25), чтобы освободить люльку. **Внимание: При использовании изделия в качестве люльки-качалки высота сиденья не регулируется! Электрическая функция качания должна быть выключена, когда люлька застопорена, т.к. это может оказать влияние на срок службы мотора! Проверьте, освобождена ли люлька перед запуском мотора! При использовании изделия в качестве люльки-качалки спинку можно регулировать только в двух положениях! Фото 26**

ИСПОЛЬЗОВАНИЕ РЕМНЕЙ

Внимание: Всегда используйте удерживающее устройство! Фото 27. Посадите ребенка в кресло. Установите подложку ремня между ногами ребенка. Пристегните поясной ремень со всех сторон подложки. Пристегните каждый ремень так, чтобы он плотно прилегал к ребенку. Убедитесь, что слышите щелчок. Проверьте, хорошо ли пристегнут ремень, потянув его.

Регулировка длины ремня: Отрегулируйте поясные ремни, нажав кнопку и перемещая пряжку (Фото 28), и плечевые ремни, перемещая пряжку (Фото 29).

9. Когда подножка установлена в самой нижней позиции, можно снять обивку с текстильной застежки и натянуть. Фото 30 -1; 2. Перегните обивку при установке подножки в самое верхнее положение. Фото 30 -3; 4.

10. **Складывание стульчика.** Встаньте за стульчиком. Наступите на заднюю трубку. Наклоните стульчик немного назад. Одновременно нажмите на кнопки освобождения с двух сторон ножек. Фото 31. Сложите переднюю трубку к задней.

Для расстыковки выполнения действия в обратном порядке. Фото 32

1. Снимите все ремни, как показано на Рис. 33

2. Снимите обивку сиденья и спинки, как показано на Рис. 33

ЧИСТКА И УХОД

1. Стирать обивку в прохладной воде с мягким мылом. Сушить естественным путем. Не отбеливать. Стойкие пятна можно вывести при помощи неабразивного чистящего крема.

2. Раму, подставку для игрушек и сами игрушки можно чистить влажной тканью и слабым очищающим раствором. Не использовать сильные и абразивные средства. Ополоснуть чистой водой для удаления остатков чистящих средств. Не погружать раму или игрушки в воду.

УСЛОВИЯ ХРАНЕНИЯ

1. Удалите батареи и храните вдали от детей.

VAŽNO! PAŽLJIVO PROČITAJTE I ČUVAJTE ZA BUDUĆE POTREBE




MERE BEZBEDNOSTI

- 1. UPOZORENJE!** Nikada ne ostavljajte dijete bez nadzora!
 - 2. UPOZORENJE!** Uvijek koristiti remenje!
 - 3. UPOZORENJE!** Opasnost od pada: Ne dozvoliti djetetu penjanje na proizvod!
 - 4. UPOZORENJE!** Ne koristiti proizvod ako svi dijelovi nisu ispravno pričvišćeni i podešeni!
 - 5. UPOZORENJE!** Imati na umu rizik od otvorenog plamena i ostalih izvora velike topline u blizini proizvoda!
 - 6. UPOZORENJE!** Imati na umu rizik od naginjanja kad se dijete može stopalima odgurmuti od stola ili bilo koje druge strukture!
 - 7. UPOZORENJE!** Ne koristite taj proizvod ako je neki deo polomuen, pocepan ili nedostaje!
 - 8. UPOZORENJE!** LJULJAŠKA JE POGODNA ZA DECU OD 0-6 MESECI I SA AKSIMALNOM TEŽINOM 9 KG.
 - 9. UPOZORENJE!** Da biste izbegli povrede, vodite računa da se deca drže podalje prilikom sklapanja i sklapanja ovog proizvoda!
 - 10. UPOZORENJE!** Nemojte koristiti proizvod kao ljuljašku kada dete postane samostalno ili teži više od 9 kg!
 - 11. UPOZORENJE!** Ovaj proizvod kao stolica je namenjen deci koja mogu da sede bez pomoći i koji su do tri godine ili maksimalne težine 15 kg!
 - 12. UPOZORENJE!** Ne koristite visoku hranilicu dok dete ne počne da sedi samo!
 - 13. UPOZORENJE!** Povremeno proveravajte sigurnosne pojaseve I dugmad!
 - 14. UPOZORENJE!** Uvek koristite hranilicu na ravnim površinama!
 - 15. UPOZORENJE!** Držite hranilicu daue od domašaja dece kada se ne koristi !
 - 16. UPOZORENJE!** Proizvod se ne sme koristiti kao igračka!
 - 17. UPOZORENJE!** UVERITE SE DA SU SVI SIGURNOSNI POJASEVI PRAVILNO NAMEŠTENI!
 - 18. UPOZORENJE!** Nikada ne koristite proizvod na podignutoj površini iznad zemlje (npr. sto ili blizu stepenica)
 - 19. UPOZORENJE!** Dodatak sa igračkama je dodatni proizvod! Držite ne postavljeni dodatak za igračke daleko od dece! Nikada ne koristite postavku sa igračkama za nošenje proizvod!
 - 20. UPOZORENJE!** Ne dozvolite da se vaše dete igra sa proizvodom!
 - 21. UPOZORENJE!** Samo za kućnu upotrebu!
 - 22. UPOZORENJE!** Ovaj proizvod nije namenjen za dugo spavanje!
 - 23. UPOZORENJE!** Nemojte nositi ili podizati proizvod dok je beba u njoj!
 - 24. UPOZORENJE!** Povremeno proverite olabavljene delove ! Redovno vršiti proveru, održavanje i čišćenje !
 - 25. UPOZORENJE!** Nemojte koristiti igračke kada počnete da koristite proizvod kao stolicu!
 - 26. UPOZORENJE!** Slike na naslovnoj stranici i u uputstvu su primeri i mogu se razlikovati od stvarnog proizvoda.
- UPOZORENJE:** Ovo pakovanje sadrži male delove u ne montiranom stanju!
- Postavite sedište na ravnu površinu.
 - Prilikom podešavanja položaja naslona treba da budete uvereni da je mehanizam dobro zatvoren u odabranoj poziciji.
 - Koristiti u uspravnom položaju tek kada dete ima dovoljno razvijena kontrolu gornjeg dela tela, da bi moglo sedeti bez oslanjanja unapred.
 - Ne ostavlja hranilica na radnom ventilatoru, uređaju grejanje, oštrim predmetima, posudama sa vodom. - Uvek koristite sistem pojaseva .



- Ova hranilica ne zamenjuje krevetac ili krevet. U slučaju da vaše dete treba da spava, onda treba staviti u pogodan krevet ili krevetac.
- Nemojte koristiti dodatke ili rezervne delove osim onih usvojen od strane proizvođača.
- Potrebno da se izvrši od strane odraslih.
- Karakteristike i dodatna oprema mogu se razlikovati od slika.

EN 14988:2017:A1:2020 , EN 16232:2013+A1:2018 , EN 62115 EN 71 

DELOVI

Slika 1

- | | |
|---|---|
| 1. Vertikalne osnove – 2 kom. Leva i desna | 6. Mehanizam za fiksiranje sedišta - 1 kom. |
| 2. Cev za prednju nogu – 1 kom. | 7. Prag – 1 kom. |
| 3. Cev za zadnju nogu - 1 kom. | 8. Postolje za hranu – 1 kom. |
| 4. Cevi za postavljanje sedišta – 2 kom. Leva i desna | 9. Postavka za igračke - 1 kom. |
| 5. Sedište - 1 kom. | 10. Adapter - 1 kom. |

MONTAŽA

UPOZORENJE: Mora biti montiran od strane odrasle osobe!

1. Ubacite cev prednje nogare u odgovarajući otvor AA na vertikalnoj osnovi, sve dok ne čujete klik. Slika 2
2. Stavite cev zadnje nogare u odgovarajući otvor B-B na vertikalnoj osnovi, sve dok ne čujete klik. Slika 3
3. Ubacite levu i desnu cev za postavljanje sedišta u otvore CC na obe strane sedišta kao što je prikazano na slici 4.
4. Postavite mehanizam za fiksiranje sedišta ispod sedišta i povežite rupe D-D sa donjim delom pratećih cevi sedišta. Slika 5
5. Okačiti sedište na osnovu stolice, kao što je prikazano na slici 6.
6. Da biste uklonili cevi iz osnove, pritisnite dugmad čvrstim predmetom, prečnika oko 4 milimetara, radi oslobađanja. Slika 7
7. Postavite plastični deo ispod ležišta (slika 8). Postavite postolje za hranu kao što je prikazano na slici 9. **Napomena:** Uvek koristite stolicu za hranjenje sa postoljem za hranjenje
8. Postaviti postolje sa igračkama, kao što je prikazano na slici 10. **Napomena:** Uvek koristite ljuljašku zajedno sa postoljem za igračke.
9. Postavite oslonac za noge na osnovu, a zatim ga pritisnite na dole. Slika 11. Oslonac za noge se može postaviti u jedan od tri otvora za regulaciju.

UPOTREBA

1. Opis kontrolnog panela Slika 12
 - 1.1. Uključite (isključite) uređaj pritiskom na taster (1).
 - 1.2. **Ljuljaška.** Postoji 5 nivoa za regulisanje brzine ljuljanja putem tastera (3) i (4). Iznad tastera se nalazi svetlosna ondikacija - diode (2) za izabrane brzine.
 - 1.3. **Tajmer** - 3 stepeni 8, 15 i 30 minuta. Pritisnite jednom taster (5) i zasvetleće prva indikacija (7) u trajanju od osam minuta. Prilikom drugog natiskanja, upaliće se svetlosna indikacija u trajanju od 15 minuta i prilikom trećeg natiskanja, u trajanju od 30 minuta. Nakon dostizanja izabranog vremena, sve funkcije će se zaustaviti. Ukoliko nije izabrana funkcija tajmera, sve izabrane funkcije će raditi sve dok se ne zaustavljeno napajanje pomoću tastera napajanje (1).

1.4. Taster za muziku (6). Natisnite taster drugi, treći i četvrti put - zvuk će biti sve glasniji. Pritisnite ponovo da zaustavite muziku. Naredno natiskanje će pustiti drugu melodiju.

2. Adapter (1) Slikae 13 - Spojite priključnicu adaptera (2) sa priključnicom uređaja za napajanje (3). Uključiti adapter (1) na utičnicu za napajanje električnom strujom.

UPOZORENJE !!! Radi sopstvene bezbednosti, koristite originalni adapter za napajanje. Ulazni napon AC 100 - 240 V 50/60Hz 0.2A Max / Izlazni napon : = DC 5,8 V - 800 mA. (Proizvođač nije odgovoran za bilo kakve gubitke, koji mogu nastati nakon upotrebe adaptera, koji nije propisan od strane proizvođača AC adapter.) -Nemojte koristiti oštećeni adapter za napajanje. - Nema kontaktirati priključkom AC adaptera sa žicama, ili na primer prstenima. Ne dozvolite da se vaše dete igra sa adapterom ili baterijama! Držite adapter daleko od dosega dece, kada je priključen na i pod napajanjem! Transformatori koji se koriste za kolevke moraju periodično se proveriti za oštećenja kabla, utikača, stambenih i drugih delova, i u slučaju takve štete ne treba da se koristi!

3. Baterije. Kada koristite napajanje iz baterije, iskopčajte AC adapter iz mreže i izvucite ga iz utičnice uređaja. Priključite utičnicu proizvoda na odeljak za bateriju - slika 14. **UPOZORENJE!** U suprotnom, proizvod se ne može koristiti sa napajanjem baterije! Ovaj proizvod koristi 4 kom. baterija tip AA - LR6 1,5 V. Otpustite vijak i otvorite poklopac mesta za baterije Slika 15. Baterije treba staviti u skladu sa prikazanim polaritetom " + 'i' - "!

POSTAVLJANJE BATERIJA

Odvijte šraf na poklopcu na odeljku za baterije šrafciherom i skinite poklopac.

Postavite 4 alkalnu bateriju AA - LR6 1.5 V u za to predviđeno mesto.

Savet: Mi preporučujemo da se koristi alkalna baterija koja duže traje.

Vratite poklopac za odeljak za baterije na njegovo mesto i zategnite šraf.



Čuvajte prirodu i ne bacajte ovaj proizvod zajedno sa kućnim otpadom (2012/19/EC).

Informacija o sigurnosti baterije

UPOZORENJE! U nekim slučajevima iz baterije može da iscuri tečnost koja može da izazove hemijsko izgaranje ili da ošteti proizvod. Kako bi izbegli curenje baterija: - Ne koristite u isto vreme nove i stare baterije ili različite tipove baterija kao što su: alkalne, standardne ((cink-ugljenične) ili one koje se pune (nikl-kadmijum).

- Postavite baterije na za to određeno mesto kako je navedeno. - Vadite baterije ukoliko ne planirate da koristite proizvod duži vremenski period. Uvek izvadite iz proizvoda potrošene baterije. Bacite ih na bezbedno mesto. Ne bacajte proizvod u vatru. Baterije mogu da eksplodiraju ili da iscuru. - Ne izazivajte kratki spoj kod baterija. - Koristite samo iste baterije ili samo baterije istog tipa prema preporukama.
- Ne pokušavajte da punite baterije koje se ne pune.
- Izvadite baterije iz proizvoda pre nego što ih napunite.
- Ako koristite baterije koje mogu da se pune, punjenje treba da se vrši pod nadzorom odrasle osobe.

4. Podesite naslon. Kada je sedište u najnižem položaju i zaključan za osnovu, naslon se može podesiti samo u dva položaja. Slika 16.

Kada podešavate visinu sedišta u drugi ili viši položaj, onda se naslon može podesiti u svim položajima do ležećeg položaja. Slika 17 **UPOZORENJE: Prilikom podešavanja sedišta, uklonite dete iz stolice!**

Podizanje naslona: Od pozicije 1 do pozicije 3, naslon za leđa može se podići samo podizanjem rukom. Slika 18 **UPOZORENJE:** Da biste podignuli naslon od treće do četvrte pozicije, pritisnite dugme za podešavanje naslona. Slika 19 **Upozorenje:** Prekidač mehanizma za podešavanje naslona zbog nepravilne upotrebe nije pokriven garancijom proizvoda!

5. Podešavanje visine sedišta. 6 stepeni podešavanja visine. Slika 20 Istovremeno pritisnite obe strane sedišta i podešavati. Držite sedište horizontalno, tako da se prilikom puštanja tastera čuje "klik", a sedište je fiksirano jednako na obe strane. Slika 21 **Pažnja: Tasteri za podešavanje treba samo da se vrate ako je sedište fiksirano. Molimo vas da proverite pre upotrebe da li je sedište pravilno pričvršćeno sa obe strane! Ako nije, podesite ponovo!**

6. Podesite postolje za hranjenje kao što je prikazano na slici 22. Gornja tabla se može ukloniti prilikom čišćenja osnove. Slika 23

7. Podesite oslonac za noge u 4 pozicije pritiskom na tastere na obe strane. Slika 24

8. Ljuljaška - Pažnja! Stolica se pretvara u ljuljašku tek kada se sedište nalazi u donjem položaju! Pritisnite taster ispod sedišta (Slika 25) da oslobodite ljuljašku.

UPOZORENJE: U polužaju ljuljaške, visina sedišta ne može da se podesi! Opcija električne ljuljaške treba biti isključena kada je kolvka zaključana, tj. to može da utiče na životni vek motora! Molimo Vas da proverite da li je ljuljaška oslobođena pre puštanja motora!

U položaju ljuljaške, sedište se može podesiti samo u dve pozicije! Slika 26

KORIŠĆENJE KAIŠEVA

Pažnja: Uvek koristite sigurnosni sistem! Slika 27 Postavite dete u sedištu. Postavite podlogu kaiša između nogu deteta. Pričvrstite pojas za struk sa svake strane podloge. Pričvrstite svaki pojas tako da dobro pristaje vašem detetu. Uverite se da čujete zvuk klik. Proverite da li je pojas dobro vezan, putem povlačenja.

Podešavanje dužine pojasa, za stezanje Podesite pojaseve u nivou stomaka tako što ćete pritisnuti i podesiti kopču (Slika 28) i ramene pojaseve povlačenjem kopče (foto 29).

9. Kada se postolje za noge postavi u najnižem položaju, možete otpustiti presvlake i lepljive trake, da bi je rastegli. Slika 30-1; 2. Nakon postavljanja postolja za noge u najviši položaj, saviti presvlaku. Slika 30-3; 4.

10. Sklapanje stolice - Stanite iza stolice. Nagazite zadnju cev. Nagnite malo stolicu. Istovremeno pritisnite tastere za oslobađanje sa obe strane nogara. Slika 31 Saviti prednju cev ka zadnjoj. Izvedite postupak obrnutim redosledom za rasklapanje. Slika 32

Uklonite presvlaka

1. Uklonite sve pojaseve kao što je prikazano na Sl. 33

2. Uklonite presvlake za sedišta i naslona kao što je prikazano na Slici 33

ČIŠĆENJE I ODRŽAVANJE

1. Operite presvlake mlakom vodom i blagim sapunom. Osuši je prirodnim putem. Ne izbeljavati. Uporne mrlje se mogu ukloniti neabrazivnom kremom za čišćenje.

2. Okvir, postavka za igračke i same igračke mogu se čistiti vlažnom krpom i blagim rastvorom deterđenta. Nemojte koristiti jake ili abrazivne deterđente. Isprati čistom vodom da bi se uklonio preostali ostatak preparata. Nemojte potapati okvir ili pomagala u vodu.

SKLADIŠTENJE

1. Izvadite baterije i čuvajte ih dalje od dece.

ÖNEMLİ! DİKKATLİ BİR ŞEKİLDE OKUYUN VE İLERİDE BAŞVURMAK ÜZERE SAKLAYIN.

TR

EMNİYET İSTEMLERİ

- 1. UYARI!** Çocuğu asla yalnız bırakmayınız!
- 2. UYARI!** Her zaman kemer emniyet sistemini kullanınız!
- 3. UYARI!** Düşme tehlikesi: Çocuğunuzun ürüne tırmanmasını önleyiniz!
- 4. UYARI!** STüm bileşenlerin ve bağlantıların doğru olarak monte edildiğinden ve ayarlandığından emin olmadan ürünü kullanmayınız!
- 5. UYARI!** Ürünün yakınında açık ateş ve diğer güçlü ısı kaynaklarını risk yaratabileceğinin farkında olunuz!
- 6. UYARI!** Çocuğunuz masa veya başka bir nesneyi kendi ayakları ile itebildiği zaman, bunun devirme riski yaratabileceğinin farkında olunuz!
- 7. UYARI!** Herhangi bir parçası kırık, kopuk veya mevcut değilse eğer, bu ürün kullanmayınız!
- 8. UYARI!** SALON SALINCAK 0-6 AY ÜZERİ VE MAKSİMUM KİLOSU 9 OLAN ÇOCUKLAR İÇİN UYGUNDUR.
- 9. UYARI!** Yaralanmadan kaçınmak için; bu ürünü açarken ve katlarken çocuklar daima uzak tutulmalıdır !
- 10. UYARI!** Çocuk tek başına ayakta durduğunda veya ağırlığı 9 kg'dan fazla olduğunda ürünü salıncak olarak kullanmayın!
- 11. UYARI!** Bu ürün mama sandalyesi olarak tek başına ayakta dura bilen ve 3 yaşa kadar olan veya ağırlığı maksimum 15 kg olan çocuklar için tasarlanmıştır!
- 12. UYARI!** Çocuk dış yardım almadan oturmaya başlamayınca kadar yüksek sandalyeyi kullanmayınız!
- 13. UYARI!** Emniyet kemerlerini ve düğmeleri periyodik olarak denetleyiniz!
- 14. UYARI!** Sandalyeyi daima düz yüzeylerde kullanınız!
- 15. UYARI!** Sandalye kullanımında olmadığı durumlarda çocuklardan uzak bir yerde koruyunuz!
- 16. UYARI!** Ürün oyuncak gibi kullanılmamalıdır!
- 17. UYARI!** Tüm kemerlerin muntazam monte edildiklerine emin olunuz!
- 18. UYARI!** Ürünü hiçbir zaman zeminin üstünde yükseltilmiş bir yüzeyde (masa veya basamak yakınları gibi) kullanmayınız.
- 19. UYARI!** Oyuncaklar için olan ekler ek aksesuardır! Monte edilmemiş oyuncak eklerini çocuklarda uzak tutun! Toybarı asla ürün taşımak için kullanmayın!
- 20. UYARI!** Çocuğunuza ürün ile oynamasına izin vermeyin!
- 21. UYARI!** Yalnızca ev kullanımı için
- 22. UYARI!** Bu ürün uzun süre uyumak için tasarlanmamıştır!
- 23. UYARI!** Ürünü çocuk için deyken kaldırmayınız veya taşımayınız!
- 24. UYARI!** Zaman zaman gevşemiş yerlerinin olup olmadığını kontrol edin! Devamlı kontrol edin, bakımını yapın ve temizleyin!
- 25. UYARI!** Oyuncaklı toybarı ürünü mama sandalyesi gibi kullanmaya başladığınızda kullanmayınız!
- 26. UYARI!** Başlık sayfasındaki ve kılavuzun içindeki resimler örnektir ve gerçek üründen farklı olabilir.



DİKKAT: Bu ambalaj monte edilmemiş parçalar bulundurmaktadır!

-Koltuğu yatay ve düz yüzeylere koyun.

-Sırt dayamalı koltuğun ayarı sırasında mekanizmanın seçilen pozisyonunda iyice kilitleti olduğundan emin olun.

-Dikey pozisyonu sadece çocuğunuz vücudunun üst kısmın kontrolünü yeterli derecede geliştirmişse oturmuş kalması ve öne doğru eğilmemesi için kullanın.

-Sandalyesi çalışan fan, ısıtma cihazları, keskin malzemeler, suyla dolu kapların yanına koymayın.

- Her zaman emniyet kemeri sistemini kullanın.

-Bu sandalyesi yatak ve çocuk sepetin yerine geçmez. Çocuğunuzun uyku vaktinde uygun çocuk sepetine ya da yatağa koymanız gerekir.

-bunlardan değişik üreticiden onaylanmış aksesuar ya da yedek parçalar kullanmayınız.

-Montaj yetişkin birinden yapılması gerekir.

-Ürünün özellikleri ve aksesuarlar fotoğraflardan değişik olabilir.

EN 14988:2017:A1:2020, EN 16232:2013+A1:2018 , EN 62115 EN 71



Resim 1

PARÇALAR

1. Dikey bazlı – 2adet sol ve sağ
2. Ön ayak borusu – 1 adet
3. Arka ayak borusu – 1 adet
4. Koltuğun askıya alınması için borular – 2 adet sol ve sağ
5. Koltuk – 1 adet
6. Koltuğu yerleştirme mekanizması – 1 adet
7. Ayak dayamalık yer – 1 adet
8. Yemek tabağı – 1 adet
9. Oyuncaklı toybar – 1 adet
10. Adaptör – 1 adet

MONTAJI

DİKKAT : Yetişkin bir kişi tarafından kurulması gerekiyor!

1. Tık sesi duyulana kadar ön ayağının dikey bazın A-A açıklığına boruyu yerleştirin. Resim 2
2. Tık sesi duyulana kadar arka ayağının dikey bazın B-B açıklığına boruyu yerleştirin. Resim 3
3. Resim 4'te gösterildiği gibi koltuk tabanının her iki tarafından C-C koltuğun askıya alma deliklerine sağ ve sol borularını yerleştirin.
4. Koltuğu yerleştirme mekanizmasını koltuğun altına yerleştirin ve koltuğun alt kısmında olan askılı boruları D-D delikleriyle ekleyin. Resim 5
5. Resim 6' da gösterildiği gibi koltuğu sandalyenin tabanına doğru askıya kaldırın.
6. Boruları kaldırdığınız için 4mm genişliği olan sert bir aletle düğmeye serbest bırakmak için basın. Resim 7
7. Plastik parçayı tepsinin altına takın (Resim 8). Resim 9' de gösterildiği gibi yemek tabağını yerleştirin. **Not:** Her zaman yemek sandalyesiyle yemek tabağını kullanın.
8. Resim 10' da gösterildiği gibi oyuncaklı toybarı yerleştirin. **Not:** Salon salıncağını her zaman toybar ile kullanın.
9. Ayak dayama yerini temele yerleştirin ve aşağı doğru basın. Resim 11. Ayak dayamalık yerin ayarı yapılması için üç ayar deliklerinden birine yerleştirilebilir.

KULLANIM

1. Kontrol panelinin açıklaması. Resim 12
- 1.1. **Cihazı (1)** düğmesinden açıp (kapayın).
- 1.2. **Salıncak** . (3) ve (4) düğmeleri ile salon salıncağının hızını ayarlamanız için 5 aşaması vardır. Düğmelerin üst kısmında seçilen hızın ışık göstergesi (2) bulunmaktadır.
- 1.3. **Kronometre** – 3 adımlı 8;15 ve 30 dakika. Bir kez düğme (5) bastığınızda ilk ışık göstergesi (7) 8 dakika için yanacaktır. İkinci kez bastığınızda 15 dakika için ve üçüncü kez düğmeye bastığınızda 30 dakika için ışık göstergesi yanacaktır. Seçilen süre ulaşıldığında tüm özellikleri duracaktır. Kronometre özelliği seçilmediği takdirde tüm seçilen özellikler (1) düğmeden durdurulana kadar çalışacaktır.

1.4. Müzik düğmesi (6), Müziği açmanız için düğmeye basın. Düğmeye ikinci, üçüncü ve dördüncü kez bastığınızda müzik sesi artacaktır. Müziğin kapanması için düğmeye tekrar basın. Düğmeye daha sonra basıldığında başka bir melodi gerçekleşecektir.

2. Adaptör (1) Resim 13 – Adaptör yakını (2) cihazın bağlantı yakıyla (3) bağlayın. Adaptörü (1) prize takın. **DİKKAT !!!** Güvenliğiniz açısından orijinal güç adaptörü kullanınız. Giriş gerilimi AC 100 - 240 V 50/60Hz 0.2A Max / Çıkış gerilimi : DC 5,8 V - 800 mA.(Üretici tarafından öngörülen adaptör dışında başka cihazların kullanımından dolayı hasarlardan dolayı üretici sorumlu değildir). Hasarlı güç adaptörü kullanmayın. Güç adaptörün fişini yüzük gibi ileticilerle temas ettirmeyiniz . Çocuğunuza piller ve adaptörle oynamasına izin vermeyin! Adaptörü takılı olduğu ve gerilim altında bulunduğu zaman çocuğunuzun ulaşmasından koruyun!
Bebek salınacağı gibi kullanılan transformatörleri periyodik olarak kabloya, fişe, gövdeye ve diğer parçalarında hasar için kontrol edilmelidir ve bu takım hasarlar durumunda kullanılmaması gereklidir!

3. Pilleri. Pil gücünü kullanırken, adaptörün elektrik bağlantısını kesin ve ürünün güç yakından çıkarın. Ürünün pil bölmesine güç yakını bağlayın - resim 14. **UYARI!** Aksi takdirde ürün pil gücüyle kullanılamaz! Bu cihaz 4 adet tip AA - LR6 1,5 V piller ile kullanılır. Vidayı gevşetin ve pil bölümünün kapağını açın Resim 15.
Piller gösterilen "+" ve "-" kutupluluğa uygun olarak yerleştirilmelidir!

BATARYALARIN /PİLLERİN/TESİSATI

Pil yuvasının kapağını tornavida ile gevşetiniz ve kapağı boşandırınız.

Pil yatağına 4 alkali pil AA - LR6 1,5 V yerleştiriniz.

Öğüt: Daha uzun bir süre kullanmanız için alkali pil öneriyoruz.

Pil kapağını yerleştiriniz ve vidayı sıkılayınız.



Bu ürünü diğer atıklarla atmayınız, çevreyi koruyunuz. (2012/19/EC).

Pilin emniyeti ile ilgili enformasyon

UYARI! Ayrı durumlarda pilden kimyevi yanıklığa veya ürünün tahribatına neden olan sıvılar akabilmektedir. Pillerden bu sıvı akıntısını gidermek için: -Yeni ve eski veya değişik tip alkali, standart /karbon-çinko/ veya kendi kendine şarj edilen /nikel-kadmiyum/ pilleri karıştırmayınız. - Pilleri gösterilen yere yerleştiriniz.

-Ürünü uzun zaman kullanmayacaksanız eğer pilleri çıkarınız. Gücünü yetirmiş pilleri daima uzaklaştırınız. Emniyetli bir yerde depolayınız. Ürünü ateşe atmayınız. Piller patlayabilir veya onlardan sıvı akabilir.

-Pillerde kısa devreye meydan vermeyiniz. -Öğütlere nazaran ancak benzer veya aynı tip piller kullanınız.

-Şarj edilemeyen pilleri şarj etmeyiniz. -Pilleri şarj etmezden önce üründen çıkarınız.

-Şarj edilebilen piller kullanırsanız eğer, şarj edilme yetişkin kişi gözetiminde yapılmalıdır.

4. Sırt dayamalık yerin ayarı. Eyer koltuğun pozisyonu en alt kısımdaysa ve tabanına doğru kilitliyse sırt dayamalık yer sadece iki pozisyona göre ayarlanabilir. Resim 16 . Koltuğun ayarını ikinci veya daha üst pozisyonda yaptıysanız o zaman sırt dayamalık yeri tüm dilenilen, yatay pozisyonuna kadar ayarlayabilirsiniz. Resim 17 **Uyarı : Koltuğun ayarını düzenlediğiniz zaman çocuğunuzu sandalyeden çıkarın!**

Sırt dayamalık yeri kaldırmak: Sırt dayamalık yer 1'ci pozisyondan 3'cü pozisyona kadar sadece elle kaldırılabilir. Resim 18 **UYARI:** Sırt dayamalık yeri 3'cü pozisyondan 4'cü pozisyona kaldırmak için sırt dayamalık yerin ayarlamak için düğmesine basınız. Resim 19 **UYARI :** **Yanlış kullanım nedeniyle sırt dayamalık yerin ayar mekanizmasının kırıkları durumunda ürün garantisi kapsamında değildir!**

5. Koltuğun yükseklik ayarı. 6 adımlı yükseklik ayarı. Resim 20. Koltuğun her iki tarafından aynı anda düğmelerine basın ve ayarını yapın. koltuğu yatay bir şekilde tutun böylece düğmeleri bırakma anında tık sesi duyulmalıdır ve koltuk her iki yönünden aynı şekilde yerleşmelidir. Resim 21 **Uyarı :** **Koltuk yerine yerleştiğinde düğmeler önceki pozisyonuna geri döner. Kullanmadan önce lütfen koltuğun iyice yerleşip yerleşmediğini kontrol edin! Değilse, yeniden ayarlayın!**

6. Yemek tabağını resim 22'te gösterildiği şekilde ayarlayın. Temizlenmesi için üst yemek tablası tamamıyla çıkartılabilir. Resim 23

7. Tuşlara her iki tarafından aynı anda bastırarak ayak dayamalık yeri 4 pozisyonda ayarlayın. Resim 24

8. Salon salıncak - Uyarı! Koltuk sadece en alt pozisyondayken salıncağa dönüşebilir! Salıncağa serbest bırakmanız için koltuğun alt kısmında bulunan düğmeye basın (Resim 25). **Uyarı: Koltuk salıncak pozisyonundayken yükseklik ayarı yapılamaz! Salıncak durdurulduğunda elektrik salınma seçeneği kapatılmalıdır böylece motorun ömrü de uzamış olur! Lütfen motoru çalıştırmadan önce salıncağın serbest olup olmadığını kontrol edin!**

Sırt dayamalık yer salıncak pozisyonunda sadece iki pozisyonda ayarlanılabilir! Resim 26

EMNİYET KEMERLERİNİN KULLANIMI

Uyarı: Her zaman emniyet sistemini kullanın! Resim 27. Çocuğunuzu koltuğa yerleştirin. Çocuğunuzun bacaklarının arasına kemeri altlığını yerleştirin. Kemeri altlığını her yerinden bağlayın. Her kemeri çocuğunuza sıkı bir şekilde bağlayın. Tıklama sesi duyulduğundan emin olun. Kemerin sıkıca bağlanmış olduğundan çekerek emin olun.

Kemerin uzunluğunun ayarı: Tokayı kaydırarak ve düğmeye basarak karın kemerlerini (Resim 28) ve tokayı kaydırarak (Resim 29) omuz kemerlerini ayarlayın.

9. Ayak dayama yeri en düşük konuma yerleştirildiği zaman velkro bantı döşemeden çekebilir ve düzeltebilirsiniz. Resim 30 -1;2 . Ayak dayama yerini üst konuma yerleştirilmesinde döşemeyi katlayın. Resim 30-3;4.

10. Koltuğun katlanması – Koltuğun arkasına geçin. Arka borusunun üzerine basın. Koltuğu yavaşça arkaya doğru eğiltin. Ayakların her iki taraflarında bulunan serbest bırakma düğmelerine aynı anda basın. Resim 31 Ön boruyu arka boruya doğru kıvrın. Açmak için ters yönde prosedürü uygulayın. Resim 32

Döşemeyi sökmek

1. Figür 33'te gösterildiği gibi tüm emniyet kemerlerini çekin.
2. Figür 33'te gösterildiği gibi sırt dayamalık yeri ve koltuğun döşemesini çekin.

TEMİZLEME VE BAKIM

1. Döşemeyi ılık su ve yumuşak sabunla yıkayın. Doğal yolla kurutun. Beyazlatmayın. İnatçı lekeleri aşındırmayan temizleyici kremle kaldırabilirsiniz.
2. Çerçeve, oyuncak rafını ve oyuncaklarının kendilerini nemli mendille ve yumuşak deterjan çözeltisiyle temizleyebilirsiniz. Güçlü ve aşındırıcı preparatlar kullanmayın. Temiz suyla preparattan kalanları kaldırmanız için durulayın. Çerçeveyi veya oyuncakları suya değdirmeyin.

DEPOLAMA

1. Pilleri çıkarın ve çocuklardan uzak tutun.

KULLANIM VE NAKLİYE SIRASINDA DİKKAT EDİLECEK UNSURLAR

- 1-Taşıma ve nakliye sırasında ürün mutlaka orijinal ambalajında taşınmalıdır.
- 2-İndirme ve bindirme esnasında maksimum dikkat gösterilmelidir.
- 3-Yükleme sırasında ambalajın tamamen kapalı olduğundan hasar görmemiş olduğundan emin olunmalıdır.

HİZMET VE BAKIM – TEMİZLİK VE BAKIM

- 1-Periyodik bakım gerektiren durumlarda tüketicin yapacakları temizlik ve bakım kısmında anlatılmış olup tüketicinin yapamayacağı şeylerde yetkili servise baş vurma gerekmektedir.
- 2-Bağlantı ve montajın nasıl yapılacağı şema ile gösterilmiş olup ebeveyn tarafından yapılması gerekmektedir.

KULLANIM HATALARINA İLİŞKİN BİLGİLER

1-Kullanım ve kurulum hatalarının önüne geçilmesi için lütfen arabanın montaj ve demontaj bilgilerini dikkatlice okuyunuz.

2-Pozisyon dışında katlama ve kapatma yapmayınız.

TÜKETİCİ HAKEM HEYETLERİNE YAPILABİLECEKLERİNE İLİŞKİN BİLGİ VE KULLANICIYA SAĞLANAN SEÇİMLİLİK HAKLARI

- 1-Garanti süresi malın teslim tarihinden itibaren başlar ve 2 yıldır.
- 2-Malın bütün parçaları dahil olmak üzere tamamı garanti kapsamındadır.
- 3-Malın ayıplı olduğunun anlaşılması durumunda tüketici 6502 sayılı tüketici korunması hakkında kanunun 11 inci maddesinde yer alan

a-Sözleşmeden dönme

b-Satış bedelinden indirim isteme

c-Ücretsiz onarılmasını isteme

d-Satılan ayıpsız bir misli ile değiştirilmesini isteme, haklarından birini kullanabilir.

4-Tüketicinin bu haklardan ücretsiz onarım hakkını seçmesi durumunda satıcı; işçilik masrafı değiştirilen parça bedeli yada başka herhangi bir ad altında hiçbir ücret talep etmeksizin malın onarımını yapmak veya yaptırmakla yükümlüdür.Tüketici ücretsiz onarım hakkını üretici veya ithalatçıya karşı da kullanabilir.Satıcı üretici ve ithalatçı tüketicinin bu hakkını kullanmasından müteselsilen sorumludur.

5-Tüketicinin ücretsiz onarım hakkını kullanması halinde malın

-Garanti süresi içinde tekrar arızalanması,

-Tamiri için gereken azami sürenin aşılması,

-Tamirinin mümkün olmadığının yetkili servis istasyonu satıcı, üretici veya ithalatçı tarafından bir raporla belirlenmesi durumlarında;tüketici malın bedel iadesini, ayıp oranında bedel indirimini veya imkan varsa malın misli ile değiştirilmesini satıcıdan talep edebilir.Satıcı , Tüketicinin talebini reddedemez.Bu talebin yerine getirilmemesi durumunda satıcı, üretici ve ithalatçı müteselsilen sorumludur.

6-Malın tamir süresi 20 iş gününü binek otomobil ve kamyonetler için ise 30 iş gününü geçemez.Bu süre garanti süresi içerisinde mala ilişkin arızanın yetkili servis istasyonuna veya satıcıya bildiri tarihinde garanti süresi dışında ise malın yetkili servis istasyonuna teslim tarihinden itibaren başlar.Malın arızasının 10 iş günü içerisinde giderilmemesi halinde üretici ve ithalatçı malın tamiri tamamlanıncaya kadar benzer özelliklere sahip başka bir malı tüketicinin kullanımına tahsis etmek zorundadır.Malın garanti süresi içerisinde arızalanması durumunda tamirde geçen süre garanti süresine eklenir.

7-Malın kullanma kılavuzunda yer alan hususlara aykırı kullanılmasından kaynaklanan arızalar garanti kapsamı dışındadır.

8-Tüketici garantiden doğan haklarının kullanılması ile ilgili olarak çıkabilecek uyuşmazlıklarda yerleşim yerinin bulunduğu veya tüketici işleminin yapıldığı yerdeki tüketici hakem heyetine veya tüketici mahkemesine başvurabilir.

9-Satıcı tarafından bu garanti belgesinin verilmemesi durumunda tüketici gümrük ve ticaret bakanlığı tüketicinin korunması ve piyasa gözetimi genel müdürlüğüne başvurabilir.

Kullanım Kılavuzunda belirtilen maddelere uyulmaması halinde oluşabilecek sorunlar garanti kapsamı dışındadır.

ÖNEMLİ: Lorelli Tamir Bakım Servisi harici bir yerde yapılan bakım onarım arabanın garanti kapsamından çıkmasına neden olur.

Kullanım Ömrü 5 Yıldır.

İTHALATÇI FIRMA: COOLBABY ÇOCUK GEREÇLERİ SAN VE TİC. A.Ş.

Çınar mah. 6/7 Sok. No:4/a Bağcılar/ İstanbul Tel: 0212 438 20 45

Web: www.lorelli.eu www.coolbaby.com.tr

Yetkili Servis : Coolbaby Çocuk Gereçleri San ve Tic A.S. Orucreis mah. Giyimkent sitesi 16. Sk. No:75 Esenler / İstanbul Tel : 0212 438 20 45 www.coolbaby.com.tr

FONTOS! FIGYELMESEN OLVASSA EL ÉS ŐRIZZE MEG KÉSŐBBI FELHASZNÁLÁS ESETÉRE!

HU

BIZTONSÁGI UTASÍTÁSOK:

- FIGYELEM!** Soha ne hagyja gyermekét felügyelet nélkül!
 - FIGYELEM!** Mindig használd a biztonsági övét!
 - FIGYELEM!** Leesés-veszély: ne engedd, hogy gyermeked felmásszon a termékre!
 - FIGYELEM!** Ne használd a terméket, ha nincs az összes alkatrész a helyére igazítva és rögzítve!
 - FIGYELEM!** Óvakodj a termék közelében a nyílt láng használatától, és óvd az egyéb forrásokból származó erős hőhatástól!
 - FIGYELEM!** Ne feledd annak kockázatát, hogy a gyermek a lábát az asztalhoz vagy egyéb bútorhoz feszítve felborulhat!
 - FIGYELEM!** Ne használják a terméket, ha valamilyen rész törött, szakadt vagy hiányzik!
 - FIGYELEM!** A PIHENŐSZÉK MÁR ÚJSZÜLÖTT KORTÓL HASZNÁLHATÓ A KICSI 6 HÓNAPOS KORÁIG VAGY 9 KG-IG.
 - FIGYELEM!** A sérülések elkerülése érdekében győződjön meg arról, hogy a gyermekek nincsenek a közelben, amikor szét- vagy összehajítja ezt a terméket!
 - FIGYELEM!** Ne használja a terméket hintaként, ha a gyermek már egyedül, segítség nélkül is tud állni a lábán, vagy testsúlya eléri a 9 kg-ot!
 - FIGYELEM!** Ez a termék, etetőszékként használva, azoknak a gyermekeknek ajánlott, akik egyedül, segítség nélkül tudnak ülni, és az életkoruk nem haladja meg a 3 évet, vagy a testsúlyuk a 15 kg-ot!
 - FIGYELEM!** Ne használják az etetőszéket amíg nem önállóan ülhet a gyerek!
 - FIGYELEM!** Rendszeresen ellenőrizze a biztonsági és a gombokat!
 - FIGYELEM!** Mindig használják az etetőszéket egyenletes felületeken!
 - FIGYELEM!** Tárolja az etetőszéket távol gyerekektől ha nem használják!
 - FIGYELEM!** Ne használják az a termék játékként!
 - FIGYELEM!** GYŐZŐDJÉK MEG, HOGY MINDEN ÖV HELYESEN BE VAN KÖTVE!
 - FIGYELEM!** Soha ne használja a terméket magas helyekre helyezve (mint például asztal vagy közel a lépcsőkhöz)
 - FIGYELEM!** A játékszett külön rész és ügyeljen arra, hogy a rögzítetlen játékszett ne kerüljön a gyerek közelében! Soha ne használjon a játékszőnyeg fogadókat, ha át akarja helyezni a szőnyeget.
 - FIGYELEM!** Ne engedje, hogy a gyerek játszon a székkal!
 - FIGYELEM!** Csak otthoni használatra!
 - FIGYELEM!** Ez a termék nem alkalmas hosszú alváásra!
 - FIGYELEM!** Ne hordozzák vagy emeljék fel a terméket, amikor a gyermek benne van.
 - FIGYELEM!** Időnként ellenőrizze meglazult alkatrészeit! Igyekezzon rendszeresen vizsgálni, karbantartani és tisztítani!
 - FIGYELEM!** Ne használja a játékhídat, amikor a terméket etetőszékként használja!
 - FIGYELEM!** A címlapon és bent az utasításban található képek példák, és eltérhetnek a tényleges terméktől.
- Figyelem!** Ez a csomagolás apró alkatrészeket tartalmaz!
- mindig tegye a széket egyenes felületre;



- győződjön meg az üléstámasztó beállításánál, hogy a zárórendszer jó bezárt;
- csak akkor használjon az álló pozíciót, ha a benne üllő gyermek tud ülni és nem dől előre;
- ne hagyjon a széket ventilátor, fűtőtest vagy éles tárgy mellé;
- mindig használjon az öv rendszert
- ez a szék nem helyettesíti a babakosárt vagy a babaágyat. Abban az esetben, ha hosszú pihenésre (alváásra) kell lefektetni a gyermeket, akkor használjon babaágyat vagy babakosárt;
- használjon csak eredeti kiegészítőket és alkatrészeket;
- csak felnőtt szerelheti össze a terméket.
- A termék jellemzői és tartozékai a fényképektől függően eltérőek lehetnek;

EN 14988:2017+A1:2020, EN 16232:2013+A1:2018 , EN 62115 EN 71



ábra 1

Alkatrészek

- | | |
|--|----------------------------------|
| 1. Függőleges allapok – 2db. (jobb, bal) | 6. Ülészögzítő szerkezet - 1db. |
| 2. Első lábcső – 1db. | 7. Tártó – 1db. |
| 3. Hátsó lábcső – 1db. | 8. Etetőtálca – 1db. |
| 4. Csövek a ülés felfüggesztésére – 2db. (jobb, bal) | 9. Eltávolítható játékhíd – 1db. |
| 5. Ülés – 1db. | 10. Adapter – 1db. |

Összeszerelés

FONTOS! A pihenőszék összeszerelése csak felnőtt végezheti el!

1. Tegye be az első lábcső az alapon helyezkedő megfelelő nyílásba A-A, amíg egy klikkelő hangot nem hall (2. ábra).
2. Tegye be az hátsó lábcső az alapon helyezkedő megfelelő nyílásba B-B, amíg egy klikkelő hangot nem hall (3. ábra).
3. Tegye be a jobb és a bal ülésfelfüggesztését szolgáló csövek a C-C nyílásokba az ülés alján (4. ábra).
4. Az ülés rögzítő szerkezetet tegye az ülés alá és csatlakozzon a csatlakozó csövek aljával (5. ábra).
5. Függessze fel az ülés a szék alsó részre (6. ábra).
6. A csövek eltávolítása érdekében, nyomja meg a felszabadító gombot k.b. 4mm. hosszú kemény tárgyval (7. ábra).
7. Szerelje be a műanyag részt a tálca alá (8. ábra) Tegye fel az etetőtálcát (9. ábra). Megjegyzés: Mindig használjon az etetőtálcát az etetőszékkel együtt.
8. Szerelje fel a játékrudat (10. ábra). Megjegyzés: A pihenőszéket mindig játékrudal legyen használva
9. Tegye fel a tártót az alapan ézt követően nyomja le (11. ábra). A tártó felszerelhető a három szabályozható nyílás egyike.

Használati utasítás

1. A szabályzó panel leírása (12. ábra)

1.1. Kapcsolja ki/be nyomógommbal (1) a készüléket.

1.2. **Hinta.** A pihenőszék 5 sebességi fokozattal rendelkezik (3) és (4) nyomógomb segítségével. A fokozatokat különböző LED villagítások (2) jelzik.

1.3. Három fokozatú időzítő szerkezet – 8, 15 és 30 perces. Még egyszer nyomja meg a gombot (5) és a 8 perces fokozat LED villágítása működésbe lép. Ha megnyomja a gombot kétszer, akkor a 15 perces fokozat villágítása jelentkezik, ha háromszor megnyomja a gombot, akkor a 30 perces fokozat villágítása bekapcsol. Az előre beprogramozott idő elérésénél minden funkció megáll. Ha az időzítő szerkezet nincs kiválasztva, akkor minden funkció működni fog, amíg a nyomógombbal (1) nem lesz félbeszakítva az elektromos feszültség.

1.4. Zenés nyomógomb (6). A zene bekapcsolás érdekében nyomja meg a zenés gombot. Ha fel szeretne erősíteni a hangot, nyomja meg egyszer, kétszer vagy háromszor a gombot, ha még egyszer megnyomja a gombot, azzal megállítja a zenét. A következő gomb nyomással pedig egy másik zene fog indulni.

2. Adapter (1) 13. ábra. Csatlakozza az adapter végét megfelelő szerkezet végéhez. Dugja be az adaptert a hálózati konektorban.

FIGYELEM !!! A saját biztonsága érdekében kérjük az eredeti adaptert használni. Bemeneti feszültség AC 100 - 240 V 50/60Hz 0.2A Max / Kimeneti feszültség : DC 5,8 V - 800 mA.

(A gyártó nem vállal felelősséget eltérő adapterek használatához visszavezethető károkért.) Ne használjon hibás vagy sérült adaptert. Ne érintse meg a csatlakozót áramvezető tárgyakkal (pl. gyűrűkkel). Ne engedje, hogy a kicsi játszon az adapterrel vagy az elemekkel! Kellő gondossággal vigyázon a gyerekekre, ha az adapter feszültség alatt van!

A babahintához használatos transzformátorokat és a hozzá tartozó kábeleket, csatlakozókat, külsőrészeit és a többi alkatrészeit rendszeresen ellenőrizni kell, és ha hibát észlelnek, akkor nem szabad a terméket tovább használni!

3. Elemek. Ha elemmel szeretné működtetni a terméket, akkor kapcsolja le az adaptert a hálózatról, és vegye ki az adapter csatlakozóját a készülék hálózati csatlakozójából.

Csatlakoztassa a készülék hálózati csatlakozóját az elemtartó rekeszhez – ábra 14. **FIGYELEM!** Ha nem tartja be az utasításokat, akkor a készülék nem lesz használható elemekkel!

A szerkezet 4 db. AA - LR6 1,5V típusú elemeket használ. Csavarja le a csavart és nyissa ki az ellemes rész fedelét (15. ábra).

Az elemeket szabályosan be kell tenni az ellemes részben – „+” és „-”

ELEM FELSZERELÉS

Lazítsák az elemtartó fedőlapját csavarhúzóval és távolítsa az elem fedőlapját.

Heyezzenek két AA 1.5V - LR6 alkálielemet a fészekbe. Tanács: Javasoljuk az alkáli használatát mivel tartósabb.

Csavarják vissza a fedőlapot.



Azelemeket tilos a háztartásihulladékkalegyütt kidobni (2012/19/EC)!

Az elemről szóló biztonsági információ

FIGYELMEZTETÉS! Bizonyos esetekben az elem szivaroghatna, ami okozhat kémiai égést és tönkretelheti a terméket. Hogy ne szivarogjon az elem: Ne keverjenek új és használt elemeket együtt vagy különböző típusú elemeket: alkali, standart (szén-cink) vagy újratölthető (nikkel-kadmium) Visszahelyezzék az elemeket, ahogy van mutatva. Ha nem használják a terméket hosszú ideig, vegyék ki az elemeket. Mindig vegyék ki a már nem működő elemeket. Biztonságosan dobják ki. Ne dobják ki tűzbe. Az elemek robbanhatnak vagy szivaroghatnak.

- Ne okozzák rövidzárlatot az elemekben.
- Használjanak csak egy típusú elemeket az utasításokat szerint.
- Ne töltsenek nem újratölthető elemeket.
- Mielőtt újratöltsék az elemeket, vegyék ki.
- Csak felnőtt felügyelete alatt lehet újratölteni az elemeket.

4. A háttámla beállítása. Ha az ülés a legalacsonyabb pozícióban van, akkor a háttámla 2 pozícióban dönthető (16. ábra). Ha az ülés második vagy magasabb helyzetben van állítva, akkor a háttámla több pozícióban dönthető vízszintes pozícióig (17. ábra). **Figyelem: Amikor háttámla beállítást végez, akkor vegye ki a kicsit a székről!**

A háttámla megemelése: Az 1. pozícióból a 3. pozícióig a háttámla csak kézzel emelhető meg. Ábra 18 **FIGYELEM:** A háttámla megemelése 3. pozícióból 4. pozícióba a háttámla hátoldalán található beállító gomb lenyomásával lehetséges. Ábra 19 **FIGYELEM: A háttámla beállító szerkezet nem megfelelő használatából eredő károkat nem fedi a termék garancia!**

5. A szék magasság beállítása. Hat fokozatú magasság beállítás (20. ábra). Nyomja meg mindkét oldalon a gombokat és állítsa be a magasságot. Figyeljen arra, hogy az ülés vízszintes pozícióba legyen és a beállításnál az ülés legyen rögzítve egyformán mindkét oldalra (klikkelő hang-ig) (21. ábra). **Figyelem: A beállítási gomboknak vissza kell kattanjuk külső segítség nélkül, ha az ülés rögzítés rendben zajlott. Kérjük, használat előtt ellenőrizze meg az ülés mindkét oldal rögzítését. Ha nem megfelelő a rögzítés, akkor rögzítse újra!**

6. Állítsa be az etetőtálcát a 22. ábra szerint. Az etetőtálca felső részét külön ki lehet venni és kitakarítani (23. ábra).

7. Állítsa be az etetőtálca lábai és egyzserre nyomja meg mindkét oldalon a gombokat (24. ábra).

8. Hinta – Figyelem! A pihenőszék hinta is egyben, de csak akkor ha az ülés a legalacsonyabb pozícióban van! 25. ábra Nyomja meg az ülés alatti gombot, hogy ki tudjon szabadítani a hintát.

Figyelem: Ha a szék hinta pozícióban van, akkor nem lehet beállítást végezni az ülés magasságon! Az elektromos ringató funkciót ki kell kapcsolni, ha a hinta rögzítve van, mivel ezt csökkenti a motor élettartamát. Kérjük, ellenőrizze a hinta szabad mozgása, mielőtt elindítja a motort!

Hintó pozícióban a háttámla 2 fokozatú beállítással rendelkezik (26. ábra)!

Az övek használata

Figyelmeztetés! Mindig használjon a védőrendszert! (ábra 27).

Tegye be a gyereket az ülésben. Tegye az alátétet a gyerek lábak közé. Csatolja össze az övet keresztben mindkét oldalon. Győződjön meg róla, hogy halja a „Klikk” hangot. Ellenőrizze az öv rögzítését.

Az öv beállítását: Állítsa be a feszítő öveket a csat csúsztatásával (28. ábra), illetve állítsa be a váll öveket ugyanúgy (29. ábra).

9. Ha a támasz a legalacsonyabb pozícióban van. akkor ki tudja igazítani az üléshez az (30.1-2 ábra). Ha a támasz a legmagasabb pozícióban van, akkor hajtsa kettévé az üléshez az (30. 3-4 ábra)

10. A szék összecsukása. Áljon a szék mögé. Lépje rá a hátsó lábcsőre. Döntse egy kicsit hátra a széket, ezzel együtt nyomja meg a felszabadító gombokat mindkét oldalon (31. ábra). Hajlítsa az első lábcsövet a hátsó lábcsőhöz.

A szék nyitása vissza folyamattal történik (32. ábra)

A huzat eltávolítása

1. Tegye el az összes övet a 33. kép szerint.

2. Tegye el az ülés és a támla huzatát a 33. kép szerint.

Tisztítás és gondozás

1. A huzatot csak hideg szappanos vízzel mossa le. A szárítás természetes módon történjen. Nem szabad fehéríteni. A makacs foltokat csak antiambrazív tisztító krémmel távolíthatóak.

2. A vázat, a fogódzókat és a játékokat csak nedves ruhával és tisztító oldattal tisztíthatóak. Nem szabad fehérítő szereket használni. Csak tiszta vízzel öblíthető. Ne használjon folyóvizet a tisztításra.

TÁROLÁS

1. Távolítsa el az elemeket és tárolja gyermekektől távol.

KUJDES! LEXONI ME VËMENDJE DHE RUANI PËR REFERENCË TË ARDHSHME!

AL

KËRKESA PËR SIGURI

- 1. KUJDES!** Kurrë mos e lëni fëmijën pa mbikëqyrje!
 - 2. KUJDES!** Gjithnjë i përdorni rripat e sigurisë!
 - 3. KUJDES!** Parandaloni fëmijën tuaj të ngjitet në produktin!
 - 4. KUJDES!** Mos e përdorni karrigen e lartë nëse të gjitha komponentët nuk janë montuar dhe rregulluar drejt !
 - 5. KUJDES!** Duhet të keni kujdes për rrezikun e zjarrit të hapur dhe burimeve të tjera të nxehtësisë së fortë në afërsi të produktit!
 - 6. KUJDES!** Të jetë i vetëdijshëm për rrezikun e tilting kur fëmija juaj mund të shtyjë këmbët e saj kundër një tabelë apo ndonjë strukturë tjetër!
 - 7. KUJDES!** Mos e përdorni atë produkt nëse ndonjë pjesë është thyer, shqyer ose e humbur !
 - 8. KUJDES!** Djepi është i përshtatshëm për fëmijë nga 0- 6 muaj dhe me peshë maksimale deri 9 kg.
 - 9. KUJDES!** Për të shmangur dëmtimin sigurohuni që fëmijët të mbahen larg kur shpalosen dhe paloset ky produkt.
 - 10. KUJDES!** Mos e përdorni produktin si djep kur fëmija fillon të qëndrojë pa ndihmën e huaj ose është me peshë më shumë se 9 kg!
 - 11. KUJDES!** Ky produkt si karrige për ushqim është destinuar për fëmijë, që mund të qëndrojnë ulur pa ndihmën e huaj dhe janë më moshë deri në 3 vjeç ose me peshë maksimale deri 15 kg!
 - 12. KUJDES!** Mos përdorni karrige të lartë deri sa fëmija juaj mund të ulen deri pandihmë!
 - 13. KUJDES!** Periodikisht kontrolloni rripat e sigurisë dhe butonat!
 - 14. KUJDES!** Gjithnjë përdorni karrigen mbi sipërfaqe të rrafshëta!
 - 15. KUJDES!** Ruani karrigen larg fëmijëve, kur nuk përdoret!
 - 16. KUJDES!** Produkti nuk duhet të përdoret si lodër !
 - 17. KUJDES!** SIGUROHENI SE TË GJITHA RRIPAT JANË MONTUAR DREJT!
 - 18. KUJDES!** Kurrë mos e përdorni produktin mbi sipërfaqe të ngritur mbi tokën (tavolinë ose afër shkallëve)
 - 19. KUJDES!** Shtojca me lodra është artikull suplementar! Duhet të ruani shtojcën jo të montuar me lodrat larg fëmijëve. Kurrë mos e përdorni tastierën ,me lodra për mbajtje !
 - 20. KUJDES!** Mos i lejoni fëmijës që të lozë me produktin!
 - 21. KUJDES!** Vetëm për përdorim në shtëpi !
 - 22. KUJDES!** Ky produkt nuk është destinuar për gjumë të gjatë!
 - 23. KUJDES!** Mos e mbani dhe mos e ngrini produktin deri sa foshnja është në të!
 - 24. KUJDES!** Periodikisht kontrolloni për lidhjen e mire të pjesëve ! Rregullisht kontrolloni, mirëmbani dhe pastroni !
 - 25. KUJDES!** Mos e përdorni tastierën me lodra, kur filloni të përdorni produktin si karrige për ushqim!
 - 26. KUJDES!** Imazhet në faqen e titullit dhe brenda udhëzimet janë shembuj dhe mund të ndryshojnë nga produkti aktual.
- KUJDES:** - Ky paketim përmban pjesa të vogla kur nuk është montuar!
- Vendosni karrigen mbi sipërfaqe horizontale dhe të rrafshëta.
- Gjatë rregullimit të pozicionit të mbështetëses, duhet të binden se mekanizmi është kyçur mire në pozicionin e zgjedhur.



- Duhet të përdorni pozicionin e drejtë , vetëm kur fëmija ka zhvilluar mjaft kontrollin e pjesës së sipërme të trupit të vet që të mund të mbetet të ulur pa përkulur përpara.
- Mos e lëni afër ventilatorit që është duke punuar, afër pajisjeve të ngrohjes, sendeve të mprehta dhe enëve me ujë.
- Gjithnjë duhet të përdorni sistemin e rripave
- Ky nuk zëvendëson koshin ose shtratin. Në rast se fëmija juaj duhet të flejë, atëherë duhet të vihet në shtratin ose në koshin përkatës.
- Mos i përdorni aksesoret ose pjesa rezerve të ndryshëm nga ata që janë miratuar nga prodhuesi.
- Montimi duhet të kryhet nga njëri i moshuar.
- Karakteristikat dhe pajisjet e produktit mund të dallohen nga fotografitë.

EN 14988:2017:A1:2020 , EN 16232:2013+A1:2018 , EN 62115 EN 71



Fotografia 1

PJESA

- | | |
|--|--|
| 1. Themeli vertikal - 2copë i majtë dhe i djathtët | 6. Mekanizëm për fiksime të karriges – 1 copë. |
| 2. Tubi i këmbës së përparme - 1 copë | 7. Shkallë – 1copë. |
| 3. Tubi i këmbës së prapme – 1 copë. | 8. Tabaka për ushqim- 1copë. |
| 4. Tubi për varje të ulëses (karriges) – 2 c. E majtë dhe e djathtët | 9. Tastierë për lodra – 1 copë. |
| 5. Ulëse (karrige) - 1 copë | 10. Adaptues – 1 copë. |

MONTIMI

Me rëndësi: Montimi duhet të bëhet nga njëri i moshuar !

- Vendosni tubin e këmbës së përparme në vrimën përkatëse A-A të themelit vertikal deri sa dëgjoni klik Fotografia 2
- Vendosni tubin e këmbës së përparme në vrimën përkatëse B-B të themelit vertikal deri sa dëgjoni klik Fotografia 3
- Vendosni tubin e majtë dhe atë të djathtët për varjen e ulëses në vrimat C-C nga të dy anët e themelit të ulëses siç është treguar në fotografinë 4.
- Vëni mekanizmin për fiksime të ulëses nën ulësen dhe bashkoni vrimat D-D me pjesën e poshtme të tubave për varje të ulëses. Fotografia 5
- Vareni ulësen te themeli i karriges, siç është treguar në fotografinë 6.
- Për heqjen e tubave nga themeli, shtypni me një send të forte me diametër rreth 4mm butonin për lirim. Fotografia 7
- Instaloni pjesën plastike nën tabaka (Fotografia 8) Vendosni tabakanë për ushqim, siç është treguar në fotografinë 9. Shënim: Gjithnjë përdorni karrigen për ushqim me tabakanë për ushqim
- Vendosni tastierën me lodra siç është treguar në fotografinë 10. Shënim: Gjithnjë përdorni djepin me tastierën për lodra.
- Vëni shkallën për këmbët në themel dhe pastaj shtypni te poshtë. Fotografia 11. Shkalla për këmbët mund të vendoset në një prej tre vrimave për rregullim.

PËRDORIMI

- Përshkrim i panelit të kontrollit . Fotografia 12
 - Ndizni (fikni) pajisjen me buton (1).
 - Djepi** Ka 5 shkalla të rregullimit të shpejtësisë së djepit përmes butonave (3) и (4) .Mbi butonat kanë indikator me dritë (2) për shpejtësinë e zgjedhur.

1.3. Tajmer - 3 shkalla 8;15 и 30 minuta. Shtypni butonin (5) një here dhe do të ndizet indikator (7) për 8 minuta. Me shtypjen e dytë do të ndizet indikator i dytë për 15 minuta, ndërsa me shtypjen e tretë indikator për 30 minuta. Gjatë kalimit të kohës së zgjedhur, të gjitha funksionet do të ndalojnë. Nëse nuk është zgjedhur funksioni tajmer, të gjitha funksionet e zgjedhura do të punojnë deri sa nuk fiket pajisja me butonin (1).

1.4. Butoni muzikor (6). Shtypni butonin që të lëshoni muzikën. Po të shtypni butonin për here të dytë ose të tretë dhe të katërt- tingulli do të forcohet. Me shtypje edhe një here muzika do të pushojë. Me shtypjen e radhës do të interpretohet melodi tjetër.

2. Adapter (1) fotografia 13 – Lidhni adapterin (2) me pajisjen (3). Vendosni adapterin (1) në prizë të rrejtë elektrik.

KUJDES!!! Për sigurinë Tuaj ju lutemi të përdorni vetëm adapterin original. Tension hyrës: AC 100 - 240 V 50/60Hz 0.2A Max / Tension dalës : DC 5,8 V - 800 mA. (Prodhuesi nuk mban përgjegjësi përdëme , të shkaktuara për shkak të pajisjeve të tjera përveç adapterit parashikuar nga prodhuesi.) Mos e përdorni adapter të prushuar. Mos e kontaktoni prizën e adapterit me përçues, përshembull unaza. Mos i lejoni fëmijës që të luajë me adapterin ose bateritë ! Ruani adapterin larg fëmijës kur ai është lidhur me rrjetin elektrik dhe është nën tension! Transformatorët, që përdoren për djepin e foshnjës, periodikisht duhet të kontrollohen për dëmtime të kabllos, spinës, korpusit dhe të pjesëve të tjera dhe në rast se ka dëmtime , nuk duhet të përdoren!

3. Bateri. Kur përdoret ushqim me bateri, nxirrni prizën e adaptuesit nga rrjeti elektrik dhe nxirrni fishkën e tij nga sektori për bateritë fotografi 14. **KUJDES!** Në rast të kundërt produkti nuk mund të përdoret me ushqim me bateri!

Ky produkt përdoret me 4 bateri tip AA - LR61,5 V.

Lironi bulonin dhe hapni kapakun e sektorit për bateri Fotografia 15.

Bateritë duhet të vendosen në përputhje me polaritetin e treguar "+" dhe " - " !

INSTALIMI DHE ZËVENDËSIMI BATTERY

Lironi vidhën e kapakut të sektorit të baterive me kaçavidë dhe hiqni kapakun.

Vendosni 4 bateri alkalë AA - LR6 1.5V në vendin për bateri.

Këshillë: në rekomandojmë që të përdoren bateri alkalë për jetë më të gjatë.

Ktheni në vend kapakun dhe shtrëngoni vidhën.



Ruani mjedisin duke mos e hedhur këtë produkt së bashku me plehrat shtëpiake (2012/19/EC). Informoheni për rekomandimet e autoriteteve lokale për riciklimin (vetëm në Evropë).

Informacion për sigurinë e baterisë

KUJDES! Në raste të veçanta nga bateritë mund të derdhen lëngje , që të shkaktojnë dijeje kimike , ose të dëmtojnë produktin. Që të parandalohet derdhje nga bateritë : - Mos i përzini bateri të reja me bateri të vjetra, ose bateri të llojeve të ndryshme: alkalë, standarde (karbon - zink) ose karrikuese (nikel – kamdiium). - Vendosni bateritë në vendin e tyre, siç është treguar.

- Në rast se nuk e përdorni produktin kohë të gjatë hiqni bateritë. Gjithnjë i nxirrni nga produkti. I hidhni në vend të sigurt. Mos i vëni në zjarr. Bateritë mund të shpërthejnë ose të derdhen.

- Mos shkaktoni qark të shkurtër në bateritë . - Përdorni vetëm bateritë tipit të njëjtë, sipas rekomandimeve .

- Mos bëni provë që të karrikoni bateri që nuk karrikohen. - Para se t'i karrikoni duhet të nxirrni bateritë nga produkti. - Nëse përdorni bateritë, që mund të karrikohen , karrikimi të bëhet vetëm me mbikëqyrjen e të moshuarit .

4. Rregullimi I mbështetëses. Kur ulësja është në pozicion më të poshtëm dhe është fiksuar te themeli, mbështetësja mund të rregullohet vetëm në dy pozicione . Fotografia 16. Kur e rregulloni lartësinë e ulësës në pozicion e dytë ose më të lartë, atëherë mbështetësja mund të rregullohet në të gjitha pozicionet deri në pozicionin e shtrirë. Fotografia 17 **Kujdes: Kur bëni rregullimin e ulësës, nxirrni fëmijën nga karrigia!**

Ngritja e mbështetëses: Nga pozicioni 1 deri në pozicionin 3 mbështetësja mund të ngrihet me dorë. Fotografia 18. **KUJDES:** Për ngritje të mbështetëse nga pozicioni i tretë deri në atë të kathtë shtypni butonin për rregullim të shpinës së mbështetëses . Fotografia 19 . **KUJDES :** **Thyerja e mekanizmit për rregullim të mbështetëses për shkak të përdorimit të gabuar nuk mbulohet nga garancia e produktit!**

5. Rregullim i lartësisë së ulëses. 6 shkalla për rregullim të lartësisë. Fotografia 20 Shtypni njëkohësisht butonat nga të dy anët e ulëses dhe rregulloni. Mbani ulësen horizontalisht, kështu që gjatë lëshimit të butonave të dëgjohet "klik" dhe ulësja të fiksohet në mënyrë të njëjtë nga të dy anët. Fotografia 21. **Kujdes: Butonat për rregullim duhet të kthehen vetëm kur ulësja është fiksuar. Ju lutemi para përdorimit të kontrolloni a është fiksuar mire ulësja nga të dyja anët! Nëse nuk është rregulloni përsëri!**

6. Rregulloni tabakanë për ushqim siç është treguar në fotografinë 22. Tabakaja e sipërme duhet të demontohet për pastrim nga themeli. Fotografia 23

7. Rregulloni mbështetësen për këmbët në 4 pozicione, duke shtypur njëkohësisht butonat nga të dyja anët. Fotografia 24

8. Djep - Kujdes! Karrigia transferohet në djep vetëm kur ulësja është në pozicionin më të poshtëm! Shtypni butonin nën ulësen (fotografia 25), që të lironi djepin. **Kujdes: Në pozicionin e djepit , lartësia e ulëses nuk mund të rregullohet ! Opsioni elektrik për lëkundje, duhet të fiket kur djepi është fiksuar, pasi kjo mund të ushtrojë ndikim mbi jetëgjatësisë së motorit! Ju lutem para lëshimit të motorit të kontrolloni a është liruar djepi!**

Në pozicion djep, mbështetësja mund të rregullohet vetëm në dy pozicione! Fotografia 26

PËRDORIM I RRIPAVE

Kujdes : Gjithnjë përdorni sistemin e sigurisë ! Fotografia 27 Vendosni fëmijën në ulësen. V[ri mbështetësen e rripit midis këmbëve të fëmijës. Lidhni rripin për belin nga çdo anë të mbështetësen. Lidhni çdo rrip kështu që fëmija të jetë lidhur mire. Kontrolloni a është lidhur mire rripi duke e tërhequr.

Rregullimi i gjatësisë së rripit: Rregulloni rripat e barkut përmes shtypjes së butonit dhe lëvizjes të kapëses (Fotografia 28) dhe rripat e supeve përmes lëvizjes së kapëses (Fotografia 29).

9. Kur mbështetësja për këmbët është në pozicionin më të poshtë, mund të lironi tapicerinë nga lenta ngjitëse dhe të tërhiqni. Fotografia 30-1;2 . Gjatë vendosjes së mbështetëses për këmbët në pozicion më të sipërm, palosni tapicerinë. Fotografia 30-3;4.

10. Palosja e karriges - Qëndroni prapa karriges. Shkëlmi mbi tubin e prapmë. Uleni karrigen pak përpara. Shtypni njëkohësisht butonat për lirim nga të dyja anët e këmbëve. Fotografia 31 Afroni tubin e përparmë te tubi i prapmë.

Procedura e hapjes është sipas rendit të treguar për hapje Fotografia 32

Heqja e tapicerisë

1. Hiqni të gjitha rripat siç është treguar në Fig. 33

2. Hiqni tapicerinë e ulëses dhe të mbështetëses siç është treguar në fig.33

Pastrim dhe përkujdesje

1. Mund të lani tapicerinë me ujë të vakët dhe sapun të butë. Tharja bëhet në mënyrë të natyrshme. Mos e zbardhini. Njollat mund të hiqeni me krem për pastrim.

2. Korniza, tavolina për lodrat dhe vet lodrat mund të pastrohen me peshqir të lagur dhe solucion pastrues. Nuk mund të përdoren preparate të forta abrazive. Shpërlani me ujë të pastër. Mos e zhytni kornizën ose lodrat në ujë.

RUAJTJA

1. Hiqni bateritë dhe ruani nga fëmijët.

ملاحظة مهمة! اقرأ الدليل بعناية واحتفظ به

للرجوع إليه في المستقبل!

متطلبات السلامة



1. تحذير! يُحظر ترك الطفل دون إشراف أو مراقبة!
 2. تحذير! استخدم دائمًا حزام الأمان!
 3. تحذير! خطر السقوط: امنع طفلك من التسلق على المنتج!
 4. تحذير! لا تستخدم المنتج ما لم تُركَّب جميع مكوناته وتُضبط بشكل صحيح!
 5. تحذير! انتبه لخطر النيران المكشوفة ومصادر الحرارة الشديدة الأخرى الموجودة بالقرب من المنتج!
 6. تحذير! انتبه لخطر الإمالة نتيجة دفع طفلك لقدميه نحو الطاولة أو أي هيكل آخر!
 7. تحذير! لا تستخدم المنتج إذا تعرضت أحد أجزائه للكسر أو التلف أو فقدان!
 8. تحذير! الأروحة مناسبة للأطفال من عمر 0 إلى 6 أشهر والحد الأقصى للوزن 9 كجم.
 9. تحذير! لتجنب الإصابة، تأكد من إبعاد الأطفال عند فتح هذا المنتج وطيّه!
 10. تحذير! لا تستخدم هذا المنتج عندما يتمكن طفلك من الجلوس دون مساعدة أو عندما يتجاوز وزنه 9 كجم.
 11. تحذير! ضمم هذا المنتج ككرسي طعام للأطفال القادرين على الجلوس دون مساعدة وحتى 3 سنوات أو ممن تبلغ أوزانهم 15 كجم كحد أقصى!
 12. تحذير! لا تستخدم كرسي الطعام حتى يمكن لطفلك الجلوس وحده دون مساعدة!
 13. تحذير! تحقق بشكل دوري من الأضرار وحزام الأمان للسلامة!
 14. تحذير! استخدم الكرسي دائمًا على سطح مستو!
 15. تحذير! أبقِ الكرسي بعيدًا عن متناول الأطفال في حال عدم استخدامه!
 16. تحذير! لا يجوز استخدام المنتج كلعبة!
 17. تحذير! تأكد من تركيب حزام الأمان على نحو صحيح.
 18. تحذير! يُحظر استخدام هذا المنتج على سطح مرتفع (مثل: الطاولة أو بالقرب من السلم).
 19. تحذير! يعد حامل الألعاب منتج إضافي! احتفظ بحامل الألعاب الذي تمت إزالته في مكان آمن! يُحظر استخدام حامل الألعاب لحمل المنتج!
 20. تحذير! لا تدع الأطفال تلعب بالمنتج.
 21. تحذير! للاستخدام المنزلي فقط
 22. تحذير! هذا المنتج غير مُصمم لفترات النوم الطويلة!
 23. تحذير! لا تحرك هذا المنتج أو ترفعه إذا كان الطفل موجودًا بداخله!
 24. تحذير! تحقق بانتظام من الأجزاء المفكوكة! قم بإجراء فحص روتيني وصيانة للمنتج وتنظيفه و/ أو غسله بانتظام!
 25. تحذير! لا تستخدم حامل الألعاب عند البدء في استخدام المنتج ككرسي طعام!
 26. تحذير! الصور الموجودة على صفحة العنوان وفي دليل التعليمات هي صور توضيحية فقط، وقد تختلف عن المنتج الحقيقي.
- تنبيه: تحتوي هذه العبوة على أجزاء صغيرة في حالتها غير المجمعة!
- ضع المنتج على أسطح أفقية ومتساوية.
 - عند ضبط مسند الظهر، يجب التأكد من قفل الآلية بشكل جيد في الوضع المختار.
 - استخدم الوضع المستقيم فقط عندما يكون الطفل قد طور تحكّم كافٍ في الجزء العلوي من الجسم للجلوس دون الميل إلى الأمام.

- لا تترك المنتج بالقرب من مروحة قيد التشغيل ومصادر الحرارة والأغراض الحادة وأوعية المياه.

- استخدم دائمًا حزام الأمان!

- لا يحل هذا المنتج محل سرير الأطفال أو السرير العادي. ومن ثم، إذا كان طفلك بحاجة إلى النوم، فعليك وضعه في سرير أطفال أو سرير مناسب.

- لا تستخدم ملحقات أو قطع غيار بخلاف تلك التي اعتمدها الشركة المصنعة.

- يلزم التجميع من قبل البالغين.

- قد تختلف مزايا المنتج وملحقاته عن الصور الفوتوغرافية.

EN 14988 :2017+A1 :2020, EN 16232 :2013+A1 :2018, EN 62115 EN 71



الأجزاء

الصورة 1

1. قواعد رأسية - قطعان، يسار ويمين
2. أنبوب القائم الأمامي - قطعة واحدة.
3. أنبوب القائم الخلفي - قطعة واحدة.
4. أنابيب ذراع رفع المقعد - قطعان، يسار ويمين
5. المقعد - قطعة واحدة.
6. مجموعات ثابتة - قطعة واحدة.
7. مسند القدم - قطعة واحدة.
8. طبق عشاء - قطعة واحدة.
9. حامل الألعاب - قطعة واحدة.
10. مهائئ - قطعة واحدة.

التجميع

تحذير: يجب تثبيت المنتج بواسطة شخص بالغ.

1. أدخل أنبوب القدم الأمامي في الفتحة المقابلة في المفصل السفلي من A إلى A حتى تسمع صوت "طققة". الصورة 2
2. أدخل أنبوب القدم الخلفي في الفتحة المقابلة في المفصل السفلي من B إلى B حتى تسمع صوت "طققة". الصورة 3
3. أدخل الزراعين الأيسر والأيمن في مجموعة المقعد على كلا الجانبين، من C إلى C. الصورة 4
4. ضع المجموعات الثابتة تحت المقعد وأدخل الزراعين الأيسر والأيمن في الفتحة المقابلة D-D. الصورة 5
5. قم بتجميع الزراعين الأيسر والأيمن على القواعد الرأسية كما هو موضح في الصورة 6.
6. فك الزراعين الأيسر والأيمن باستخدام شيء صلب يبلغ قطره حوالي 4 ملم. اضغط على الزر السريع القابل للفصل لتفكيكه. الصورة 7
7. ركب الجزء البلاستيك أسفل الصينية (الصورة 8). ركب طبق العشاء كما هو موضح في الصورة 9.
8. ملاحظة: استخدم دائمًا كرسي الطعام مع طبق العشاء.
9. ركب حامل الألعاب كما هو موضح في الصورة 10. ملاحظة: استخدم دائمًا الأروحة مع حامل الألعاب.
10. ضع دواصة صغيرة على منفذ الدواصة ثم اضغط لأسفل. الصورة 11 يمكن ضبط مسند القدم في 3 أوضاع.

الإعداد والاستخدام

1. وصف لوحة التحكم. الصورة 12
- 1.1. قم بتشغيل (إيقاف تشغيل) الجهاز من الزر (1).
- 1.2. الأرجوحة. هناك خمسة مستويات لضبط سرعة الأرجوحة مقسمة على الزرين (3) و(4). يوجد المؤشر الضوئي (2) للسرعة المحددة فوق الأزرار.
- 1.3. هناك ثلاثة أنواع لضبط الوقت 8 و15 و30 دقيقة. اضغط على الزر (5) مرة واحدة وسيضيئ الضوء (7) لمدة 8 دقائق. اضغط عليه للمرة الثانية، وسيضيئ الضوء لمدة 15 دقيقة. اضغط عليه للمرة الثالثة، وسيضيئ الضوء لمدة 30 دقيقة. عند الوصول إلى وقت الإعداد، ستتوقف جميع الوظائف.
- إذا لم تستخدم خاصية ضبط الوقت، فستبدأ جميع وظائف الاستخدام في العمل حتى يتم إيقاف تشغيل (1) الطاقة من الزر (1).
- 1.4. زر الموسيقى. (6). اضغط على الزر لتشغيل الموسيقى. اضغط على الزر للمرة الثانية والثالثة والرابعة لضبط مستوى الصوت. سيؤدي الضغط التالي إلى إيقاف الموسيقى. سيؤدي الضغط التالي للحن التالي.
2. المهائئ (1) الصورة 13 - أدخل قابس التيار المستمر (2) للمهائئ في جهاز استقبال التيار المستمر للكرسي (3). أدخل قابس التيار المتردد (1) بمقبس تيار متردد 100-240 فولت، 60/50 هرتز، 0.2 أمبير كحد أقصى.
- تحذير!!! من أجل سلامتك، يرجى استخدام مهائئ الطاقة الأصلي فقط. جهد الإدخال: تيار متردد 100 - 240 فولت 60/50 هرتز 0.2 أمبير كحد أقصى/ جهد الخرج: تيار مستمر 5,8 فولت - 800 ملي أمبير (لا تتحمل الشركة المصنعة مسؤولية أي خسائر تكبدها بسبب استخدام مهائئ طاقة غير تلك المحددة). لا تستخدم مهائئ طاقة التالفة. لا تلمس قابس مهائئ الطاقة بمواد موصلة، على سبيل المثال: الحلقات.

لا تدع الطفل يلعب بالمهايم أو بالبطاريات! احتفظ بالمهايم بعيداً عن متناول الأطفال عندما يكون متصلاً بالكهرباء ومزوداً بالطاقة! يجب فحص المهائيات المستخدمة مع أرجوحة الطفل بشكل منتظم بحثاً عن أي تلف في السلك والقابس والعلبة والأجزاء الأخرى، وفي حال حدوث مثل هذه الأضرار، يجب عدم استخدامها.

يجب استخدام أرجوحة الطفل فقط مع المحول الموصي به.

3. البطاريات. عند استخدام طاقة البطارية، فصل مهايم التيار المتردد من التيار الكهربائي ثم افصله من مقبس الطاقة الخاص بالمنتج. واصل مقبس طاقة التيار المستمر الخاص بالمنتج بحجرة البطارية - الصورة 14. تحذير! خلاف ذلك، لا يمكن استخدام المنتج مع طاقة البطارية!

يستخدم هذا المنتج 4 بطاريات من نوع LR6 - 1,5AA فولت.

فك البراغي الموجودة على غطاء البطارية باستخدام مفك. افتح الغطاء. الصورة 15
يجب وضع البطارية في فتحة البطارية بالقطبية الصحيحة، "+" و "-"!

تغيير البطارية

- فك البراغي الموجودة على غطاء البطارية باستخدام مفك. افتح الغطاء.
- ضع 4 بطاريات قلووية من النوع AA - LR6 بقدرة 1.5 فولت (غير متضمنة)، كما هو موضح داخل حجرة البطارية. نصيحة: يوصى باستخدام البطاريات القلووية للتشغيل الممتد.
- أعد تركيب غطاء البطارية واربط البراغي بإحكام باستخدام المفك. لا تربط بشكل مفرط.
- إذا بدأ المنتج بعتل، فقد يكون من الضروري إعادة ضبط الأجهزة الإلكترونية. أزل البطاريات ثم أدخلها مرة أخرى.
- عندما يبدأ الصوت في الضعف أو التوقف، فقد حان الوقت لتغيير البطارية بواسطة شخص بالغ!

أحم البيئة من خلال عدم التخلص من هذا المنتج مع النفايات المنزلية (2012/19/EC).
تحقق من التوصيات المقدمة إلى السلطات المحلية بشأن إعادة التدوير (لأوروبا فقط).



معلومات تخص سلامة البطاريات

- تحذير! في بعض الحالات الخاصة، قد يتسرب السائل من البطارية مما قد يسبب حرقاً كيميائياً أو تلف المنتج. لتجنب تسرب البطارية:
- لا تخطط بين البطاريات القديمة والجديدة أو أنواع مختلفة من البطاريات، مثل: البطاريات القلووية والقياسية (الكربون والزنك) أو البطاريات القابلة لإعادة الشحن (Ni-Cr).
- يرجى إدخال البطاريات كما هو موضح داخل حجرة البطارية.
- إذا لم تستخدم هذا المنتج لفترة طويلة، فيرجى إزالة البطاريات. عندما تنفذ البطاريات، قم بإزالتها من المنتج. يرجى التخلص بعناية من نفايات البطاريات. لا تتخلص من البطاريات في النار. قد تنفجر البطارية أو تتسرب.
- لا تقصر دائرة أطراف البطارية.
- استخدم فقط نفس البطاريات أو بطاريات من نوع واحد كما هو مطلوب.
- لا تعد شحن البطاريات غير القابلة لإعادة الشحن.
- أخرج البطاريات من المنتج قبل إعادة شحنها.
- إذا كنت تستخدم بطاريات قابلة لإعادة الشحن، فيجب أن يكون الشحن تحت إشراف البالغين.

4. ضبط مسند الظهر. عندما يكون المقعد والذراع في حالة القفل، يمكن تعديل مسند الظهر في وضعين فقط. الصورة 16. عند ضبط ارتفاع مقعد الكرسي على الوضع الثاني أو أعلى، يمكن ضبط مسند الظهر على أي وضع جلوس حتى الاستلقاء.

الصورة 17 تحذير! عند ضبط الخاصية، يرجى إخراج الطفل من الكرسي أولاً.
رفع مسند الظهر: لا يمكن رفع مسند الظهر من الوضع 1 إلى الوضع 3 إلا عن طريق الرفع باليد. الصورة 18 تحذير: لرفع مسند الظهر من الوضع 3 إلى الوضع 4، اضغط على زر ضبط مسند الظهر. الصورة 19
تحذير: لا يغطي ضمان المنتج الأضرار التي تلحق بألية ضبط مسند الظهر بسبب الاستخدام غير السليم!

- 5.** ضبط ارتفاع المقعد. هناك 6 ارتفاعات مختلفة للضبط. الصورة 20 اضغط على أزرار الضبط على كلا الجانبين واضبطها. أبق جانبي المقعد على نفس الارتفاع، حتى تسمع صوت "طققة" وسيتم تثبيت المقعد أفقيًا. الصورة 21
- تحذير! يجب أن يرتد زر تعديل المقعد إلى الخلف، إذا وجدت أن أي جانب من جوانب المقعد غير ثابت أو مفكك أو لا يعمل. يرجى إصلاحه قبل الاستخدام. يجب تثبيت جانبي المقعد والحفاظ على المقعد في الارتفاع المحدد، وإلا سيكون هناك خطر!
- 6.** اضبط طبق الطعام كما هو موضح في الصورة 22. يمكن إزالة الصينية العلوية للتنظيف. الصورة 23
- 7.** اضبط مسند القدم في 4 أوضاع، مع الضغط على الأزرار الموجودة على الجانبين معًا. الصورة 24
- 8.** الأرجوحة. تحذير! فقط عندما يكون المقعد في أدنى وضع، يمكن تحويل كرسي الطعام إلى أرجوحة!!! اضغط على الزر الموجود أسفل المقعد (الصورة 25) لتحرير الأرجوحة. اتبع نفس الخطوة لتحويل الأرجوحة إلى كرسي طعام. تحذير: في حالة التآرجح، لا يمكن تعديل ارتفاع المقعد.
- تحذير! يجب إغلاق خاصية تآرجح الأرجوحة عند تحويل الأرجوحة إلى كرسي طعام، وإلا سيؤثر ذلك على العمر الافتراضي للموتور. لا يمكن تعديل ارتفاع المقعد لأعلى ولأسفل بمجرد أن يكون في حالة التآرجح.
- في حالة التآرجح، يمكن ضبط مسند الظهر إلى وضعين! الصورة 26

تأمين طفلك

- تحذير: استخدم دائمًا حزام الأمان! الصورة 27 ضع طفلك في المقعد. ضع بطانة الحزام بين ساقي طفلك. اربط أحزمة الخصر على كل جانب من بطانة الحزام. تأكد من سماع صوت "طققة" على كلا الجانبين. تحقق للتأكد من تثبيت حزام الأمان بشكل آمن عن طريق سحبه بعيدًا عن طفلك. يجب أن يظل حزام الأمان ثابتًا. اربط كل حزام خصر بحيث يكون نظام التقييد محكمًا على طفلك.
- ضبط طول الأحزمة: اضبط أحزمة الخصر بالضغط على الزر وانزلاق المشبك (الصورة 28) وأحزمة الكتف مع انزلاق المشبك (الصورة 29).
- 9.** عندما يتم وضع مسند القدم في الموضع السفلي، يمكنك تحرير الفرش من الفيلكرو وتمديده. الصور 30 -1؛ 2 عند ضبط مسند القدم لأعلى، اطو الفرش. الصورة 30-3؛
- 10.** طي الكرسي - قف خلف الكرسي. قف على الأنبوب الخلفي. قم بإمالة الكرسي إلى الخلف قليلاً. اضغط في نفس الوقت على أزرار التحرير الموجودة على جانبي القوائم. الصورة 31 اطو الأنبوب الأمامي إلى الخلف.
- اتبع الإجراءات نفسها بالترتيب العكسي في حال الفتح. (الصورة 32)
- إزالة الفرش
- 1.** أزل جميع الأحزمة كما هو موضح في الشكل 33.
- 2.** أزل فرش الكرسي ومسند الظهر كما هو موضح في الشكل 33.

الصيانة والعناية

- 1.** اغسل الوسادة بالماء البارد والصابون الناعم. اتركها تجف بشكل طبيعي. لا تستخدم مبيض الأقمشة. استخدم التجفيف الآلي بشكل منفصل على حرارة خفيفة وأزلها على الفور.
- 2.** يمكن مسح الإطار وحامل الألعاب والألعاب باستخدام محلول تنظيف خفيف وقطعة قماش مبللة. لا تستخدم المنظفات القاسية أو الكاشطة. اشطف بالماء لإزالة البقايا. لا تعمر الإطار أو الألعاب بالماء.

التخزين

- 1.** أزل البطاريات وخذنها بعيدًا عن متناول الأطفال.

Didis Ltd.

Bulgaria, Shumen, 6 Trakia-iztok Street
Phone: +359 54 850 830
e-mails: home.market@didis-ltd.com;
export@didis-ltd.com

Дидис ООД

България, Шумен, "Тракия-изток" 6
Тел. +359 54 850 830
e-mails: home.market@didis-ltd.com;
export@didis-ltd.com

Unic importator in Romania

DIDIS INTERNATIONAL
Strada Sfantul Pantelimon Nr.1
Oras Pantelimon, Judetul Ilfov
Phone: +40 21 211 65 60
Fax: +40 21 210 65 62
E-mail: office@didis.ro